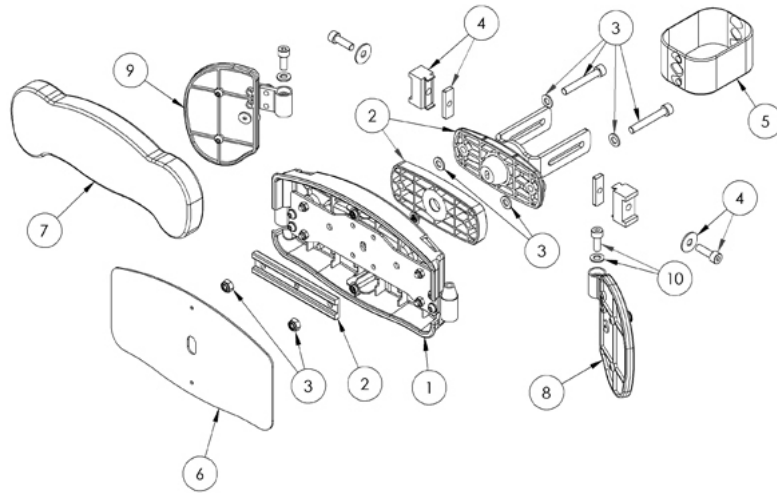


## Shoulder Support Assembly



Pos.	Leckey Code	Description	Qty	Compatible with	
				Size 1	Size 2
1	133-2005	Shoulder Moulding Assy S1	1	✓	
1	133-2006	Shoulder Moulding Assy S2	1		✓
2	133-2007	Shoulder/Sacral Adjustment Assy	1	✓	✓
3	133-2008	Shoulder Adjustment Bolt Kit	1	✓	✓
4	133-2016	Shoulder Spine Slider Assy	2	✓	✓
5	133-3030	Spine shroud Pack (3 Covers)	1	✓	✓
6	133-2013	Shoulder Cover	1	✓	✓
7	133-400-10	Shoulder Foam & Cover Blue	1	✓	✓
7	133-400-11	Shoulder Foam & Cover Grey	1	✓	✓
7	133-400-12	Shoulder Foam & Cover Purple	1	✓	✓
7	133-400-13	Shoulder Foam & Cover Infection Control	1	✓	✓
7	139-400-10	Shoulder Foam & Cover Blue	1	✓	✓
7	139-400-11	Shoulder Foam & Cover Grey	1	✓	✓
7	139-400-12	Shoulder Foam & Cover Purple	1	✓	✓
7	139-400-13	Shoulder Foam & Cover Infection Control	1	✓	✓
8	133-2009	Shoulder Wing LH S1	1	✓	
8	133-2010	Shoulder Wing LH S2	1		✓
9	133-2011	Shoulder Wing RH S1	1	✓	
9	133-2012	Shoulder Wing RH S2	1		✓
10	133-2014	Taperlock Bolt Kit	2	✓	✓