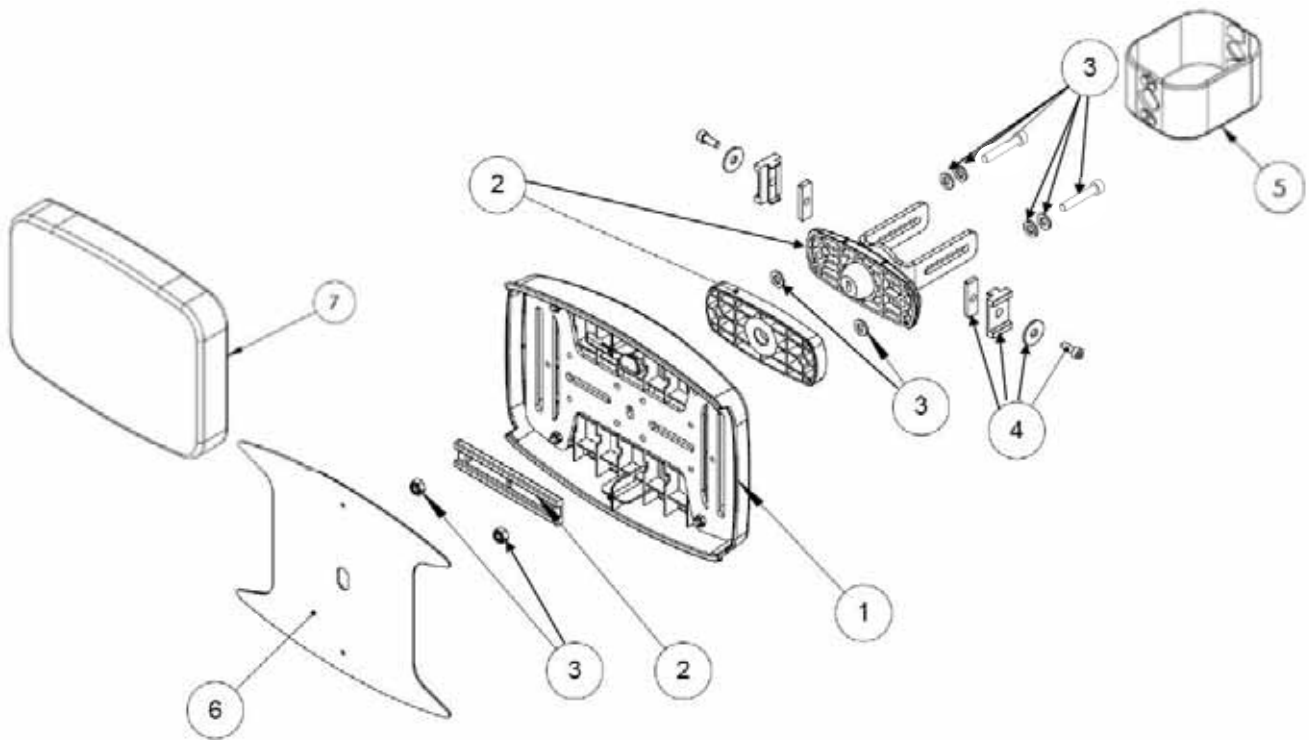


## Thoracic Support Assembly



Pos.	Leckey Code	Description	Qty	Compatible with	
				Size 1	Size 2
1	133-2021	Thoracic Moulding Assy	1	✓	✓
2	133-2020	Thoracic Adjustment Assy	1	✓	✓
3	133-2018	Thoracic Adjustmant Bolt Kit	1	✓	✓
4	133-2019	Thoracic/Sacral Spine Slider Assy	2	✓	✓
5	133-3030	Spine Shroud Pack (3 Covers)	1	✓	✓
6	133-023	Thoracic Cover	1	✓	✓
7	133-401-10	Thoracic Foam and Cover Blue	1	✓	✓
7	133-401-11	Thoracic Foam and Cover Grey	1	✓	✓
7	133-401-12	Thoracic Foam and Cover Purple	1	✓	✓
7	133-401-13	Thoracic Foam and Cover Infection Control	1	✓	✓