

Totstander

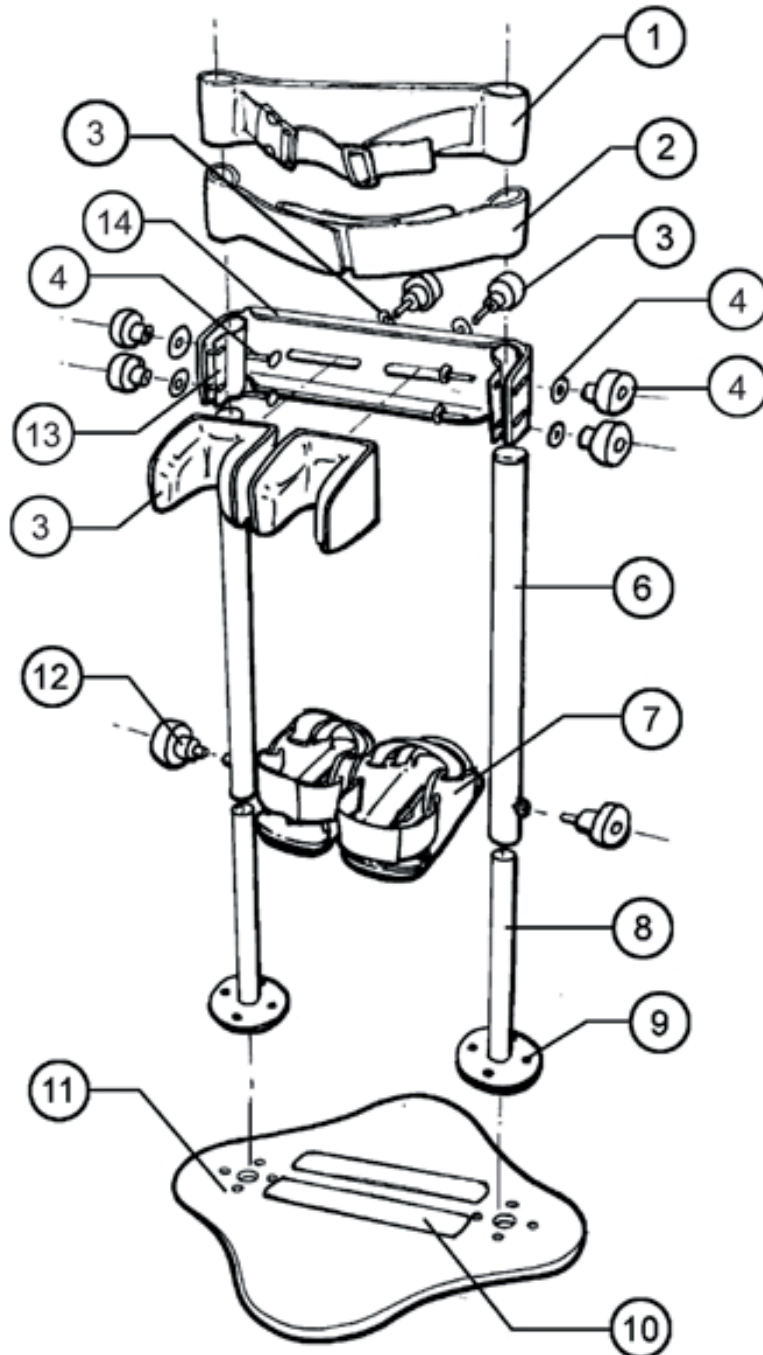
Spare Parts Catalogue



Contents

W03-04 Totstander

Totstander



Totstander

Pos.	Leckey Code	Description	Qty
1	GI23	Top Belt	1
2	GA026	Pelvic Band	1
3	SF43	M8x25 Male Soft Touch Hand Knob	1
3	102-1759	Knee Cup (Outer & Upholstered Inner)	1
3	SI27	Neoprene Disc	1
4	SI15	Mudguard Washer	1
4	SF40	M8 Female Hand Knob	1
4	SK30	M8x35 Cup Square Bolt	1
6	RAT-4-1006	Upper Tube	1
7	102-1760	Sandal Assembly	1
8	RAT-4-1615	Inner Tube & Base Flange Plate	1
9	SJ97	M8x16 Socket Button	1
10	SG02	Velcro Strip	1
11	RAT-4-1615	Wooden Baseplate	1
12	SG10	Self Adhesive Grey Loop	1
13	RAT-4-1032	Knee Cleat (NA313)	1
14	CA18	Knee Plate	1