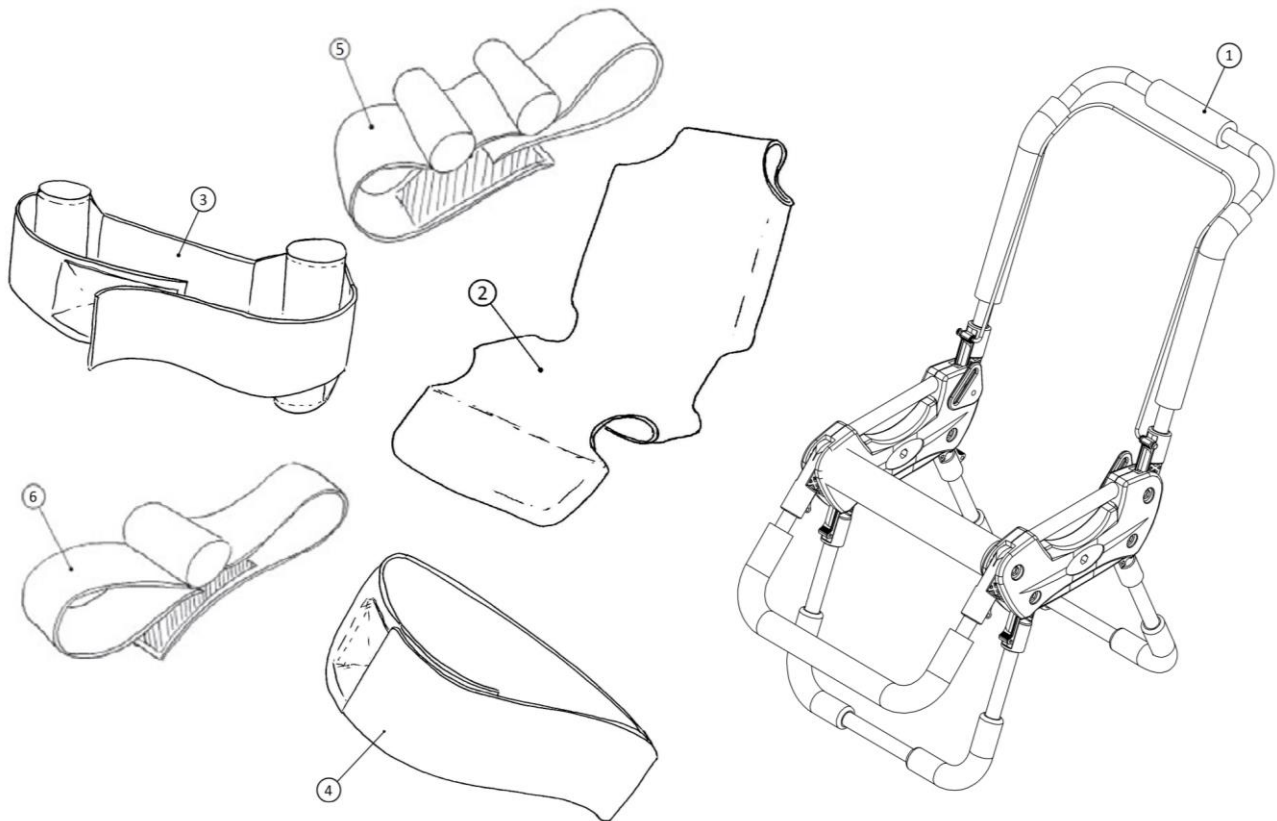


LECKEY^o

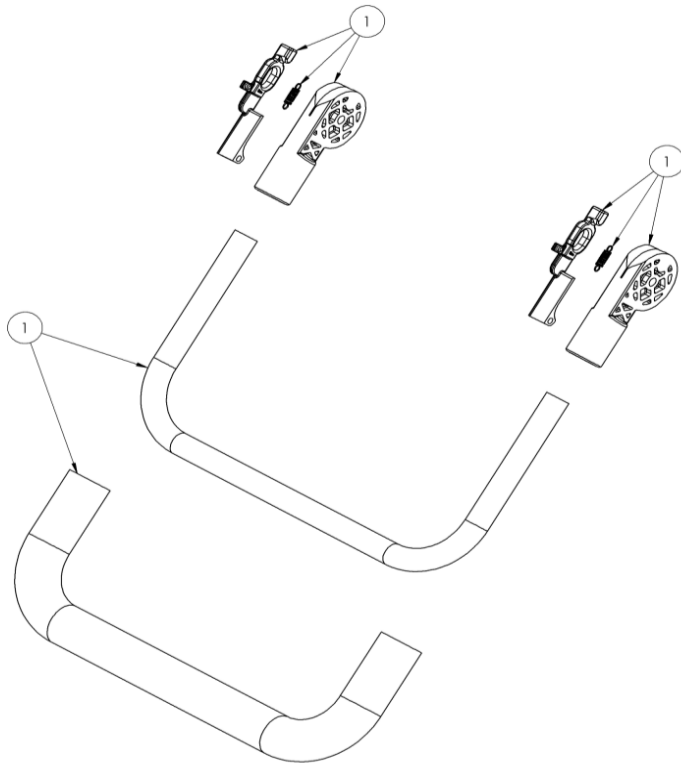
Bath Chair Covers - various



Pos.	Leckey Sales Code	Item Codes	Description	Min. Order Qty	Available for sale
1	LAB/1/FR		Advanced Bath Chair Frame Size 1	1	✓
	LAB/2/FR		Advanced Bath Chair Frame Size 2	1	✓
	LAB/3/FR		Advanced Bath Chair Frame Size 3	1	✓
	LAB/4/FR		Advanced Bath Chair Frame Size 4	1	✓
2	LAB/1/D-XX		Cover Size 1	1	✓
	LAB/2/D-XX		Cover Size 2	1	✓
	LAB/3/D-XX		Cover Size 3	1	✓
	LAB/4/D-XX		Cover Size 4	1	✓
3	LAB/1/A-XX		Chest Belt	1	✓
4	LAB/1/E-XX		Hip Belt	1	✓
5	LAB/1/C-XX		Head Support All Sizes	1	✓
6	LAB/1/B-XX		Abduction Belt Size 1 & 2	1	✓
	LAB/2/B-XX		Abduction Belt Size 3 & 4	1	✓

LECKEY^o

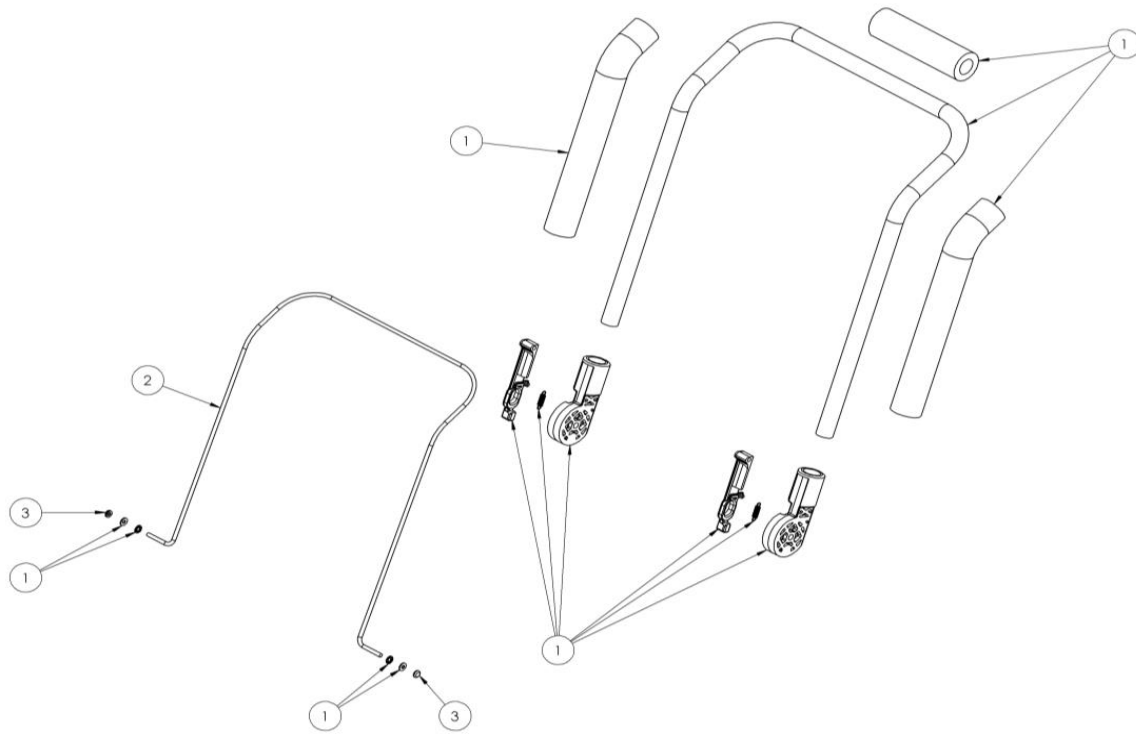
Bath Chair Calf Support Assembly RAP-4-1958 (sz 1-2),
RAP-4-3958 (sz 3-4)



Pos.	Leckey Sales Code	Item Codes	Description	Min. Order Qty	Available for Sale
1	RAP-4-1958		Calf Support Assembly Size 1 & 2	1	✓
	RAP-4-3958		Calf Support Assembly Size 3 & 4	1	✓

LECKEY^o

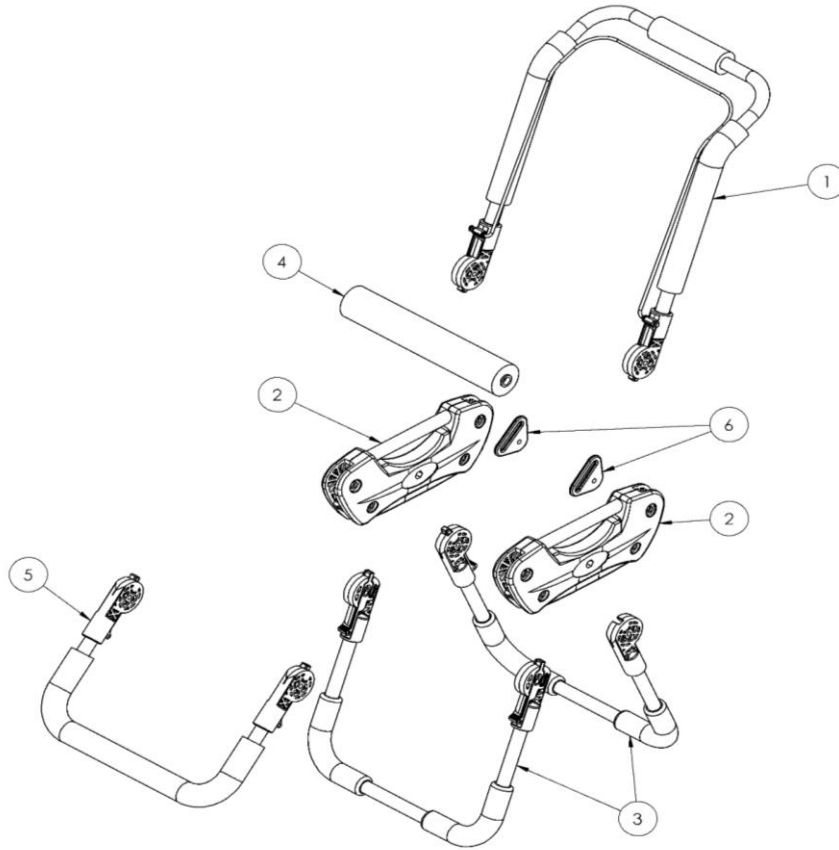
Bath Chair Backrest Assembly RAP-4-#955



Pos.	Leckey Sales Code	Item Codes	Description	Min. Order Qty	Available for Sale
1	RAP-4-1955		Backrest Assembly Size 1	1	✓
	RAP-4-2955		Backrest Assembly Size 2	1	✓
	RAP-4-3955		Backrest Assembly Size 3	1	✓
	RAP-4-4955		Backrest Assembly Size 4	1	✓
2	RAP-4-1039		Back Angle Adjuster Bar Size 1	1	x
	RAP-4-2039		Back Angle Adjuster Bar Size 2	1	x
	RAP-4-3039		Back Angle Adjuster Bar Size 3	1	x
	RAP-4-4039		Back Angle Adjuster Bar Size 4	1	x
3		SI24	Poppers for Back Angle Adjuster Bar	50	✓

LECKEY[®]

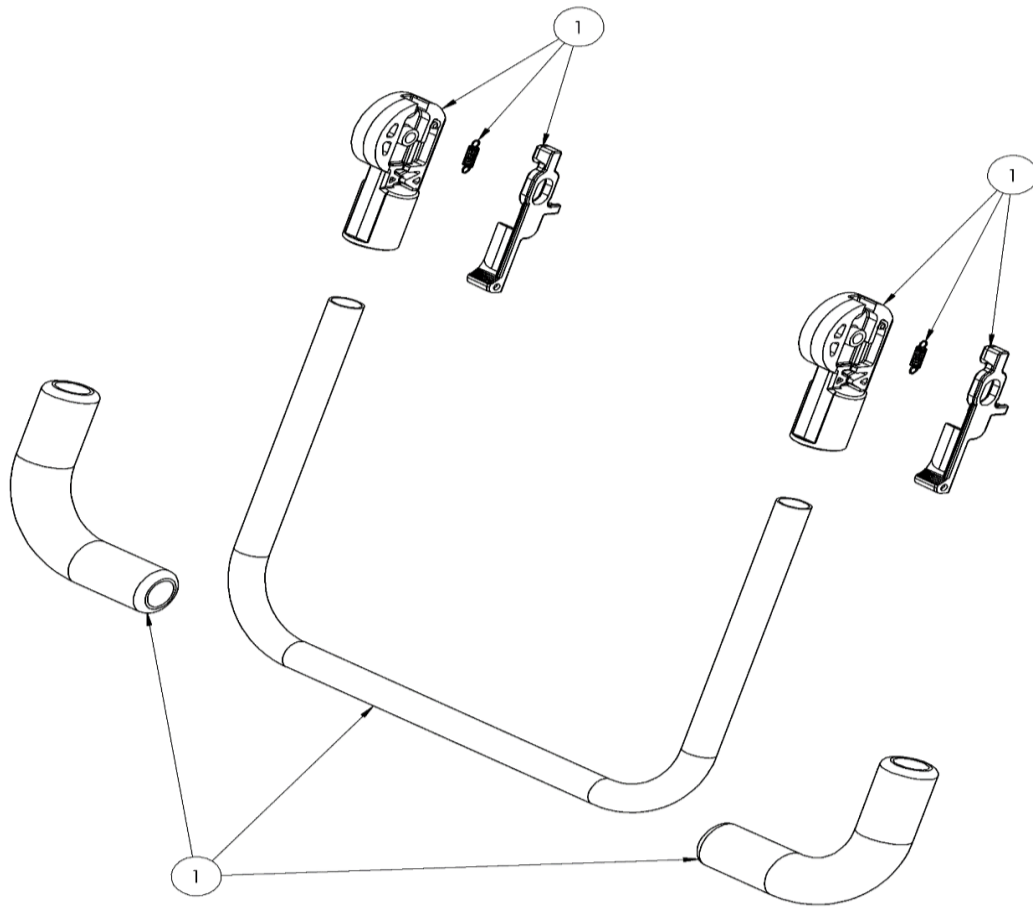
Bath Chair Frame Assembly LAB/#-FR



Pos.	Leckey Sales Code	Item Codes	Description	Min. Order Qty	Available for Sale
1	RAP-4-1955		Backrest Assembly Size 1	1	✓
	RAP-4-2955		Backrest Assembly Size 2	1	✓
	RAP-4-3955		Backrest Assembly Size 3	1	✓
	RAP-4-4955		Backrest Assembly Size 4	1	✓
2	RAP-4-1956		Side Moulding Assembly Size 1	1	✓
	RAP-4-2957		Side Moulding Assembly Size 2	1	✓
	RAP-4-3958		Side Moulding Assembly Size 3	1	✓
	RAP-4-4959		Side Moulding Assembly Size 4	1	✓
3	RAP-4-1900		Lower Leg Assembly Size 1 - 4	1	✓
4	RAP-4-1957		Knee Roll Assembly Size 1 - 4	1	✓
5	RAP-4-1958		Calf Support Assembly Size 1 & 2	1	✓
	RAP-4-3958		Calf Support Assembly Size 3 & 4	1	✓
6	RAP-4-1064		Belt Plate Size 1 - 4	1	✓

LECKEY[®]

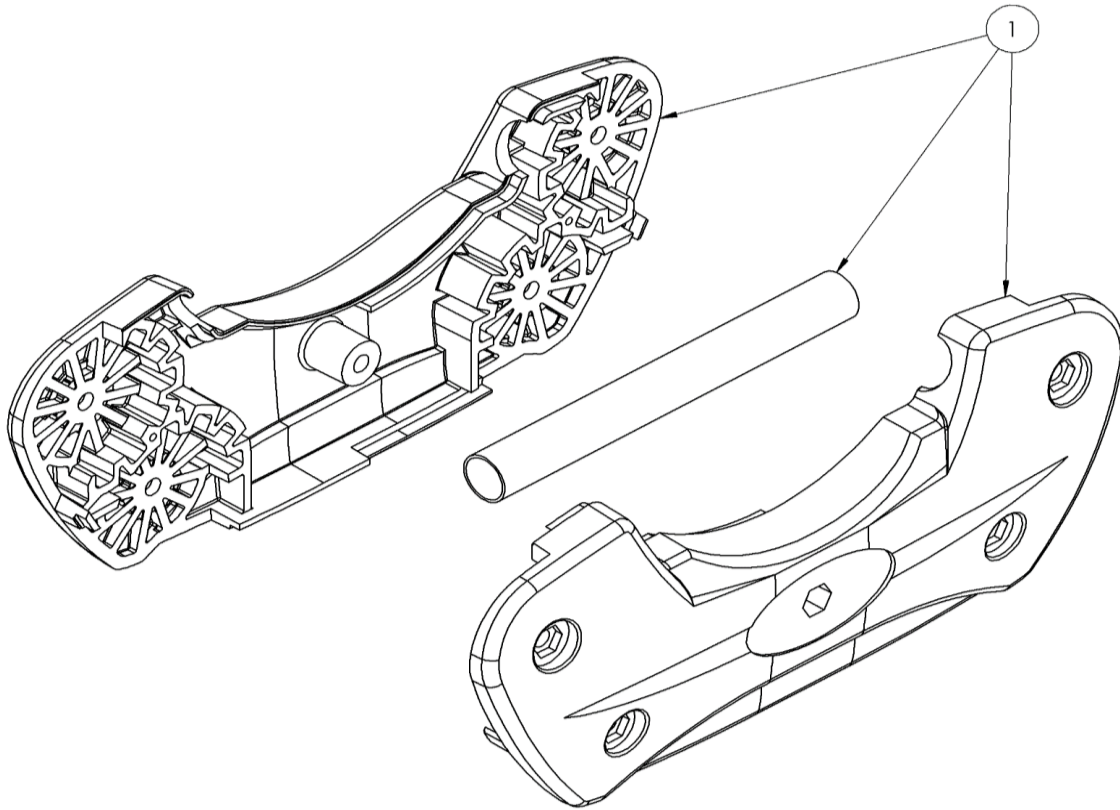
Bath Chair Lower Leg Assembly RAP-4-1900



Pos.	Leckey Sales Code	Item Codes	Description	Min. Order Qty	Available for Sale
1	RAP-4-1900		Lower Leg Assembly Size 1 - 4	1	✓

LECKEY[®]

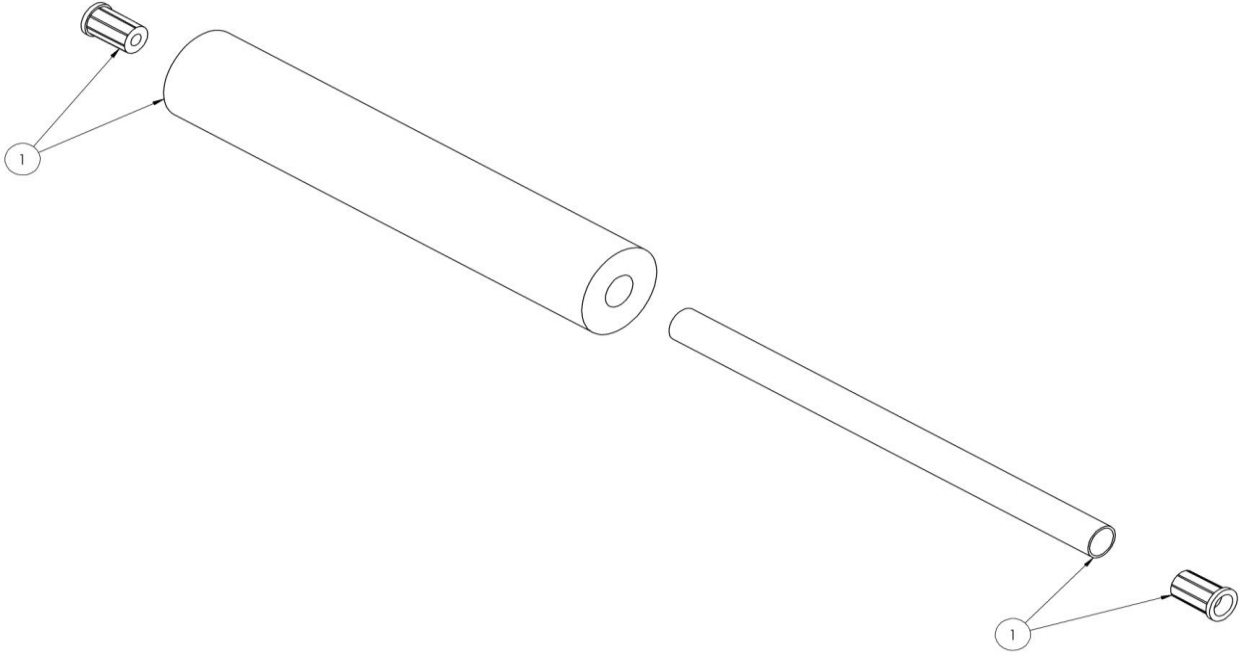
Bath Chair Side Moulding Assembly RAP-4-1956, -57, -58, -59



Pos.	Leckey Sales Code	Item Codes	Description	Min. Order Qty	Available for Sale
1	RAP-4-1956		Side Moulding Assembly Size 1	1	✓
	RAP-4-2957		Side Moulding Assembly Size 2	1	✓
	RAP-4-3958		Side Moulding Assembly Size 3	1	✓
	RAP-4-4959		Side Moulding Assembly Size 4	1	✓

LECKEY[®]

Bath Chair Knee Roll Assembly RAP-4-1957



Pos.	Leckey Sales Code	Item Codes	Description	Min. Order Qty	Available for Sale
1	RAP-4-1957		Knee Roll Assembly Size 1 - 4	1	✓