



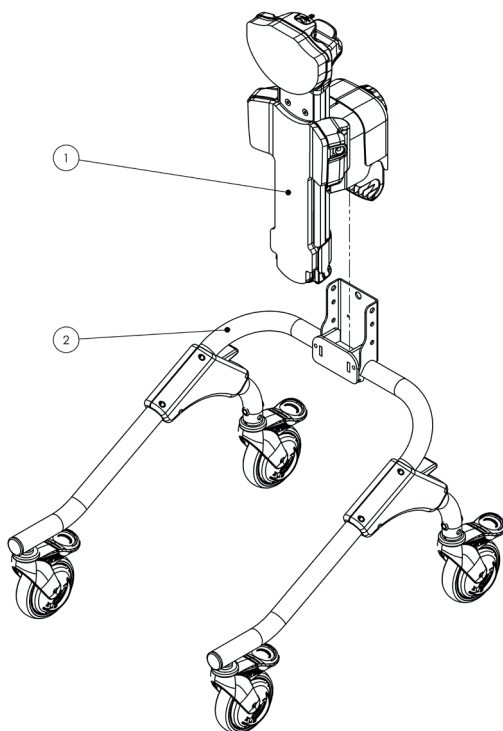
MyWay™

Spare Parts Catalogue



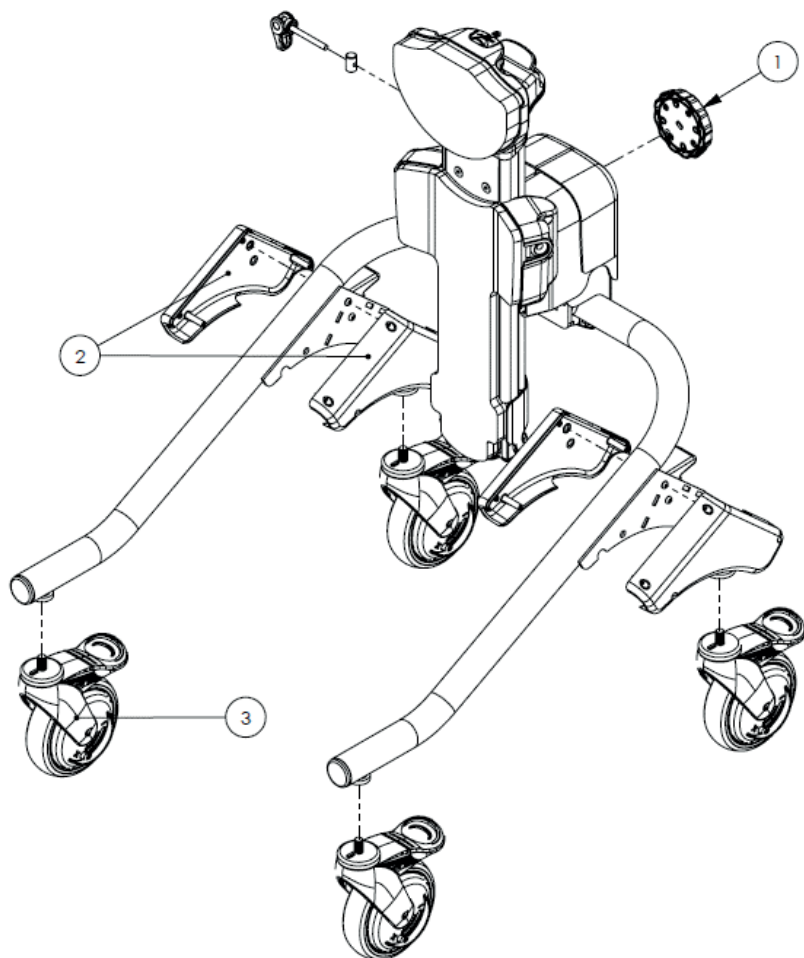
Supporting
Children

MyWay Spare Parts – Main Frame



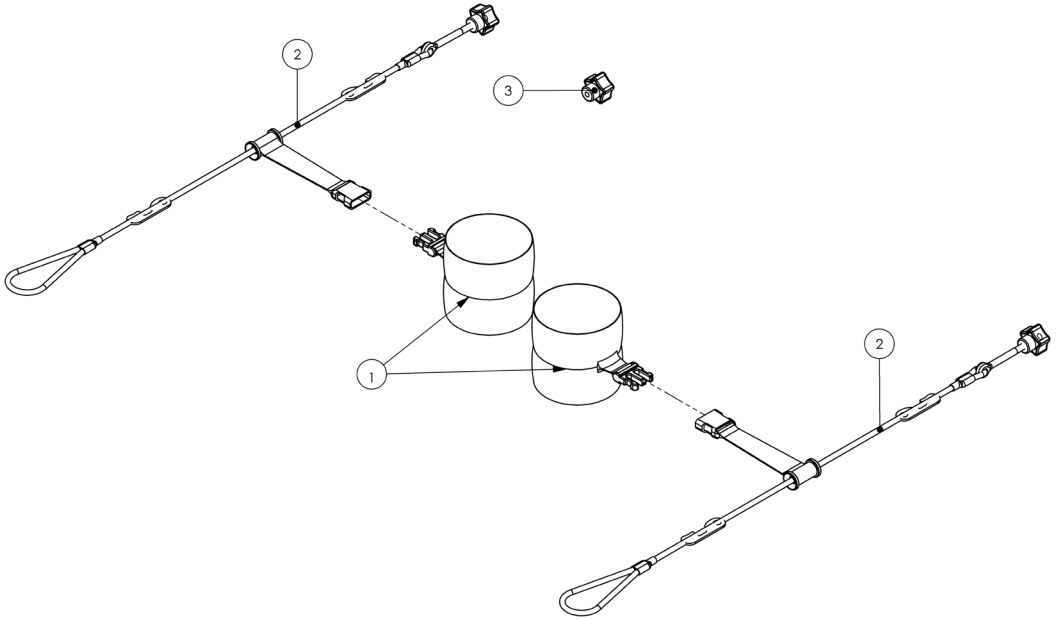
Pos	Leckey Code	Description	Qty	Compatible with			Available for sale as a spare part
				Size1	Size2	Size3	
1	173-1720	Spine Assembly - Size 1	1	•			•
1	173-2720	Spine Assembly - Size 2	1		•		•
1	173-3720	Spine Assembly - Size 3	1			•	•
2	173-1721	Chassis Assembly - Size 1	1	•			•
2	173-2721	Chassis Assembly - Size 2	1		•		•
2	173-3721	Chassis Assembly - Size 3	1			•	•

MyWay Spare Parts – Main Frame



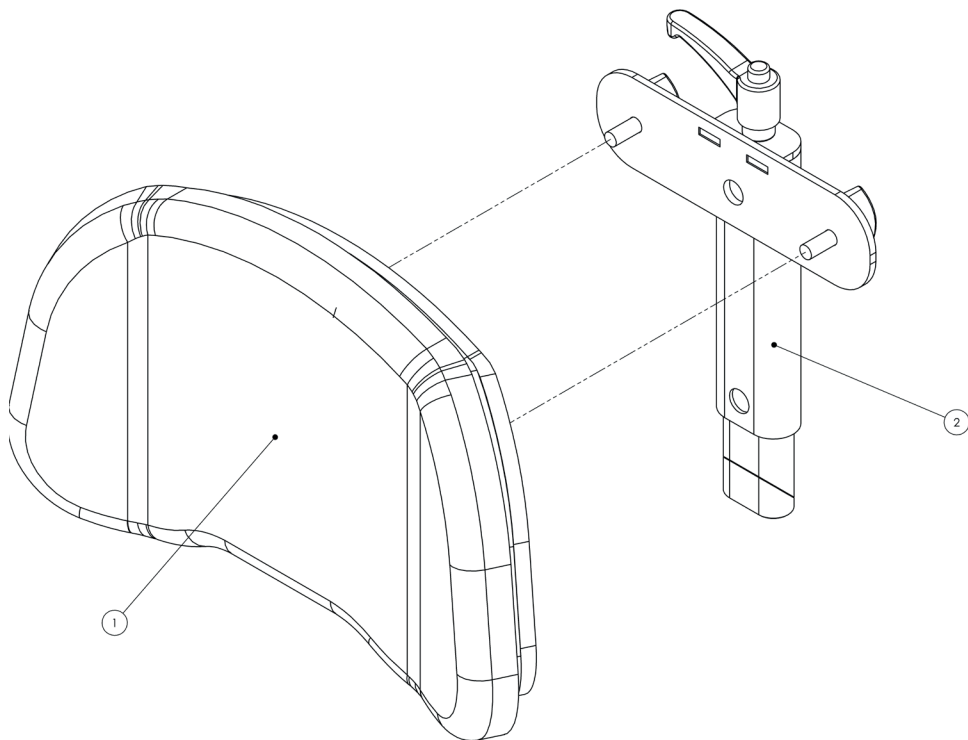
Pos	Leckey Code	Description	Qty	Compatible with			Available for sale as a spare part
				Size1	Size2	Size3	
1	173-1705	Angle Wheel Assembly	1	●	●	●	●
2	173-1706	Frame Moulding	1	●	●	●	●
3	173-1660	Castor	1	●	●	●	●

MyWay Spare Parts – Ankle Guides



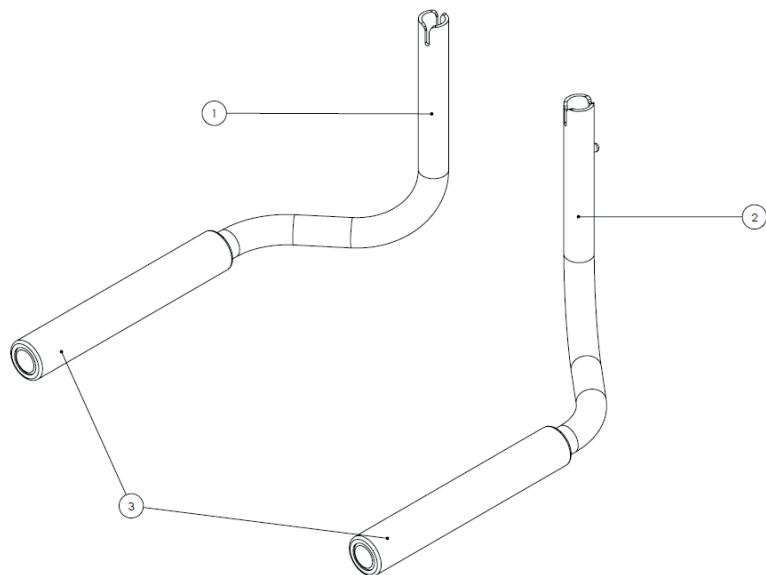
Pos	Leckey Code	Description	Qty	Compatible with			Available for sale as a spare part
				Size1	Size2	Size3	
1	173-1715	Ankle Wrap Pair	1	●	●	●	●
2	173-1708	Rope Slide Assembly – Size 1	1	●			●
2	173-2708	Rope Slide Assembly – Size 2	1		●		●
2	173-3708	Rope Slide Assembly – Size 3	1			●	●
3	173-1709	Spare Essentra Knob (Qty 1)	1	●	●	●	●

MyWay Spare Parts – Headrest



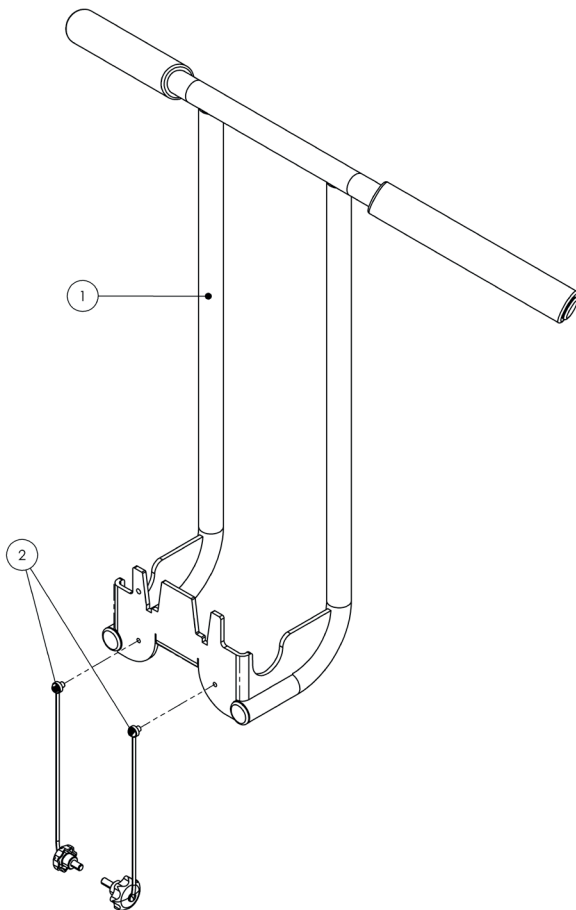
Pos	Leckey Code	Description	Qty	Compatible with			Available for sale as a spare part
				Size1	Size2	Size3	
1	173-1683	Head Pad Assembly	1	•	•	•	•
2	173-1710	Headrest Attachment Assembly	1	•	•	•	•

MyWay Spare Parts – User Handles



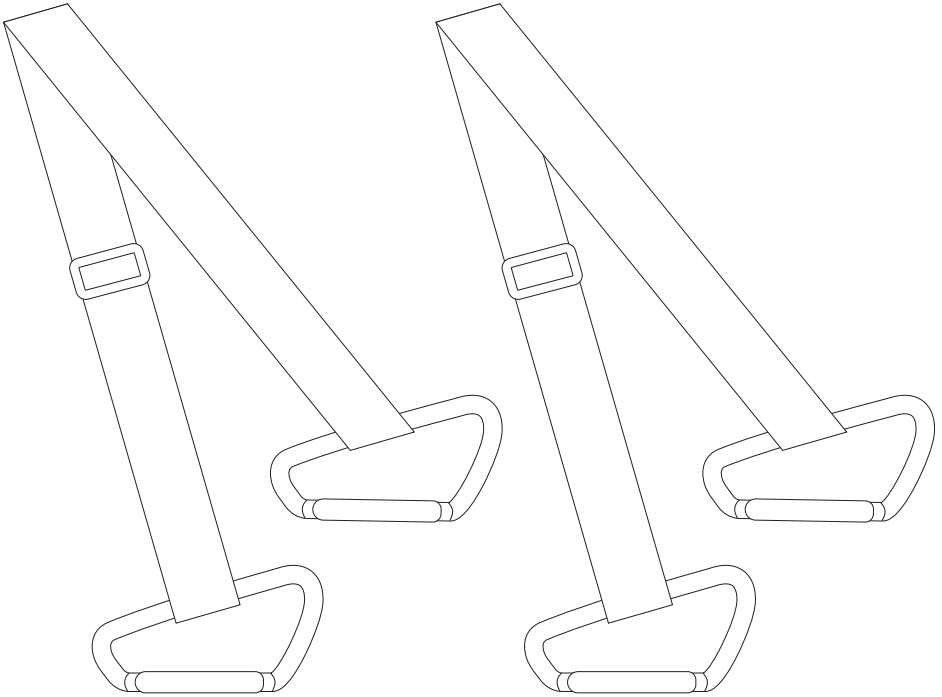
Pos	Leckey Code	Description	Qty	Compatible with			Available for sale as a spare part
				Size1	Size2	Size3	
1	173-1665	Right Handle - Size 1	1	•			•
1	173-2665	Right Handle - Size 2	1		•		•
1	173-3665	Right Handle - Size 3	1			•	•
2	173-1666	Left Handle - Size 1	1	•			•
2	173-2666	Left Handle - Size 2	1		•		•
2	173-3666	Left Handle - Size 3	1			•	•
1&2	173-1667	Handle Pair - Size 1	1	•			•
1&2	173-2667	Handle Pair - Size 2	1		•		•
1&2	173-3667	Handle Pair - Size 3	1			•	•
3	SI49	Tubular Foam Sleeve	1 Pair	•	•	•	•

MyWay Spare Parts – Adult Handles



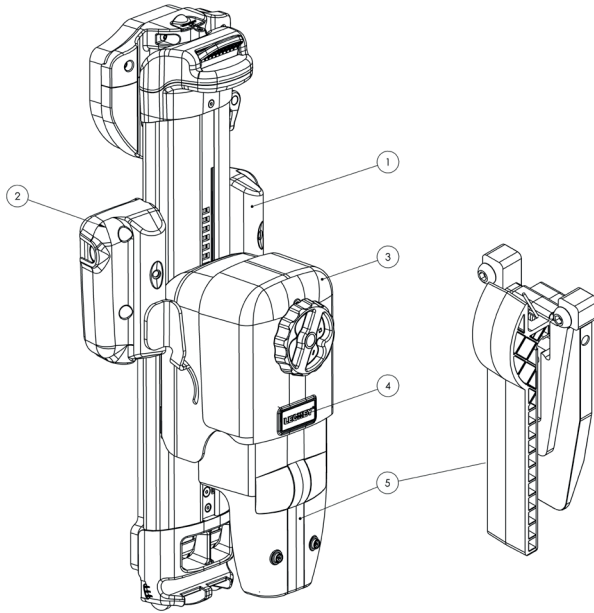
Pos	Leckey Code	Description	Qty	Compatible with			Available for sale as a spare part
				Size1	Size2	Size3	
1	173-1707	Adult Handle Frame Assembly - Size 1	1	•			•
1	173-2707	Adult Handle Frame Assembly - Size 2	1		•		•
1	173-3707	Adult Handle Frame Assembly - Size 3	1			•	•
2	173-1692	Attachment Assembly	1 Set	•	•	•	•

MyWay Spare Parts – Hoist Straps



Pos	Leckey Code	Description	Qty	Compatible with			Available for sale as a spare part
				Size1	Size2	Size3	
1	173-1800	Hoist Strap Set	1	•	•	•	•

MyWay Spare Parts – Moulding Covers



Pos	Leckey Code	Description	Qty	Compatible with			Available for sale as a spare part
				Size1	Size2	Size3	
1	173-1113	Pulley Shroud Right (S1 & S2)	1	●	●		●
1	173-3113	Pulley Shroud Right (S3)	1			●	●
2	173-1114	Pulley Shroud Left (S1 & S2)	1	●	●		●
2	173-3114	Pulley Shroud Left (S3)	1			●	●
3	173-1092	Parallelogram Sliding Cover (S1)	1	●			●
3	173-2092	Parallelogram Sliding Cover (S2 & S3)	1		●	●	●
4	IE901	Leckey Logo Sticker	1	●	●	●	●
5	173-2629	Rear Handle Lever assembly	1	●	●	●	●



Leckey
19c Ballinderry Road
Lisburn BT28 2SA
Northern Ireland

[+44] 28 9260 0750
hello@leckey.com

LS907-02

leckey.com

