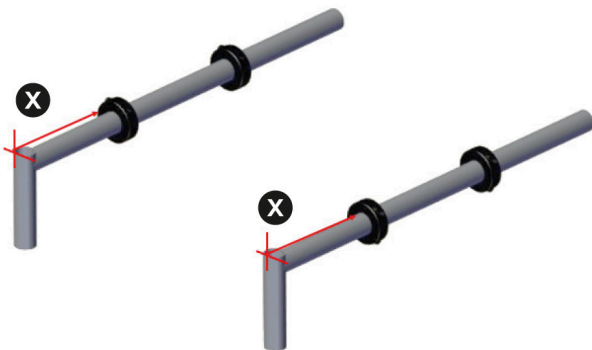


Customer User Instruction Interface J & K set up

[Ordering Code: 194-600/194-700]

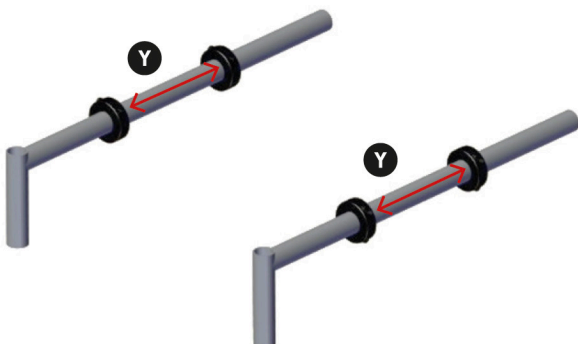


Distance [X] is a recommended position from front of hangar tube to front of the first collar.



INTERFACE SET UP	Mygo Seat	INTERFACE J [194-600]	INTERFACE K [194-700]
SEAT	BASE	DISTANCE [X]	
Squiggles	Zippie Iris	170mm	
Squiggles	Zippie TS (folding)	170mm	
MYGO	Zippie Iris		220mm
MYGO	Zippie TS (folding)		220mm

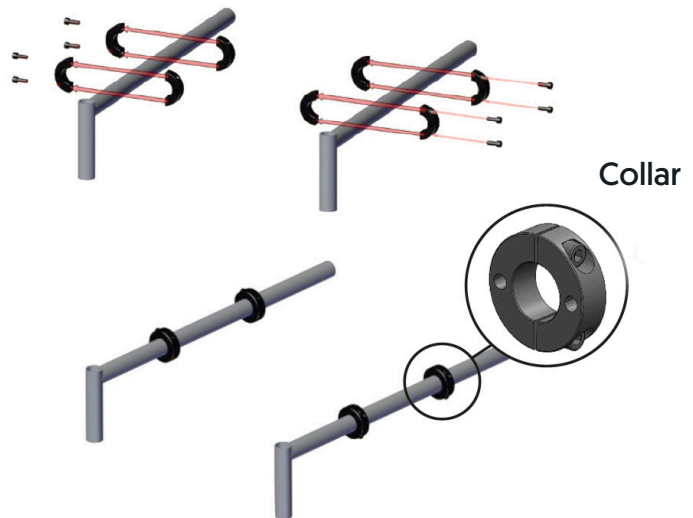
[Y] is the distance between collars.



INTERFACE SET UP	Mygo Seat	INTERFACE J [194-600]	INTERFACE K [194-700]
SEAT	BASE	DISTANCE [X]	
Squiggles	Zippie Iris	116mm	
Squiggles	Zippie TS (folding)	116mm	
MYGO	Zippie Iris		116mm
MYGO	Zippie TS (folding)		116mm

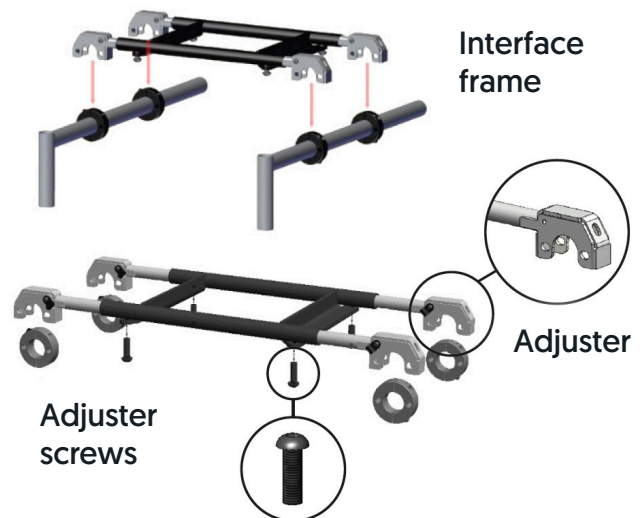
Step 1 – Set distance/Attach collars

- Remove bolts (x2per) from the collar (x4)
- Split collar
- Measure distance as stated on Page1 (Mark position on base if desired)
- Place collar halves on either side of the leg
- Replace bolts loosely



Step 2 – Attach interface

- Unscrew adjuster screws so adjusters can move in and out of the Interface frame freely
- Slide adjuster out to suit position of collars
- Place interface over all collars



Step 3 – Secure Interface

- Place pins (x8) through the holes in adjusters and collar to secure frame
- Pins are all inserted from the front of the base. (see below)
- Secure collar bolts in the following order;
 1. Make sure bolts face outward (see below)
 2. Tighten top bolt until hand tight
 3. Repeat for bottom bolt
 4. Tighten top bolt with 5mm Allen key until secure
 5. Repeat for bottom bolt
- Tighten adjuster screws using 5mm Allen key until tight.

