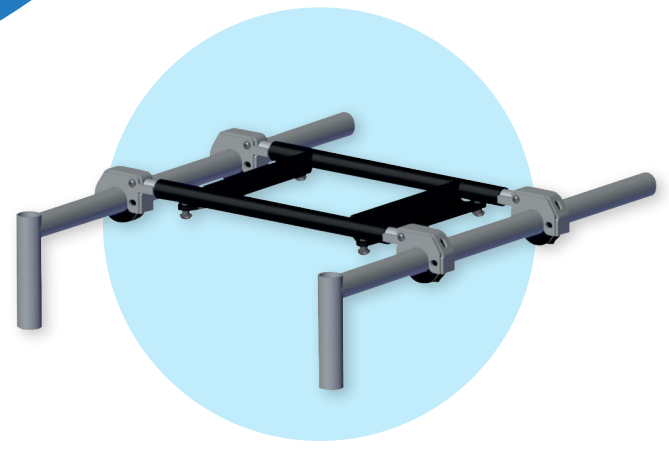


# Customer WI Interface S1, S2 & S3 set up

[150-1760, 150-2760, 150-3760]



Distance [X] Is A Recommended Position From Front Of Hangar Tube To Front Of The First Collar.

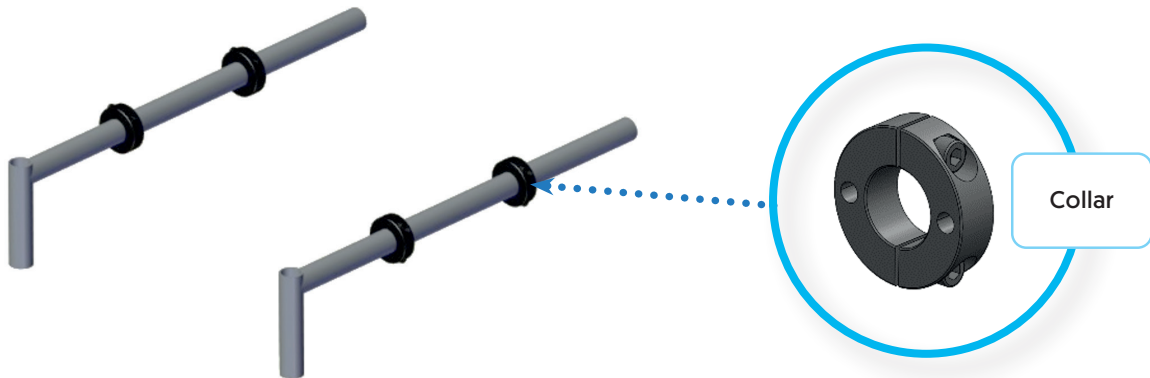
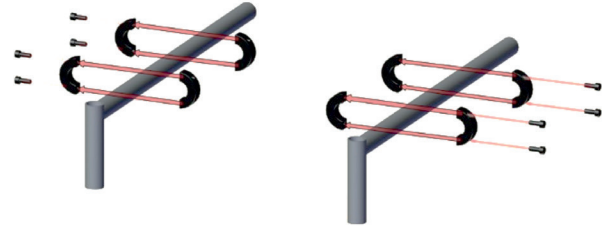
[Y] Is The Distance Between Collars.

INTERFACE SET UP		SMALL [150-1760]	MEDIUM [150-2760]	LARGE [150-3760]
SEAT	BASE	DISTANCE [X]		
BeMe	Zippie Iris	75mm		
BeMe	Zippie Iris		150mm	
BeMe	Quickie Iris	150mm		
BeMe	Quickie Iris		150mm	
BeMe	Quickie Iris			150mm
BeMe	Quickie SR45	80mm		
BeMe	Quickie SR45		80mm	
BeMe	Quickie SR45			80mm

INTERFACE SET UP		SMALL [150-1760]	MEDIUM [150-2760]	LARGE [150-3760]
SEAT	BASE	DISTANCE [X]		
BeMe	Zippie Iris	120mm		
BeMe	Zippie Iris		165mm	
BeMe	Quickie Iris	120mm		
BeMe	Quickie Iris		165mm	
BeMe	Quickie Iris			210mm
BeMe	Quickie SR45	120mm		
BeMe	Quickie SR45		165mm	
BeMe	Quickie SR45			210mm

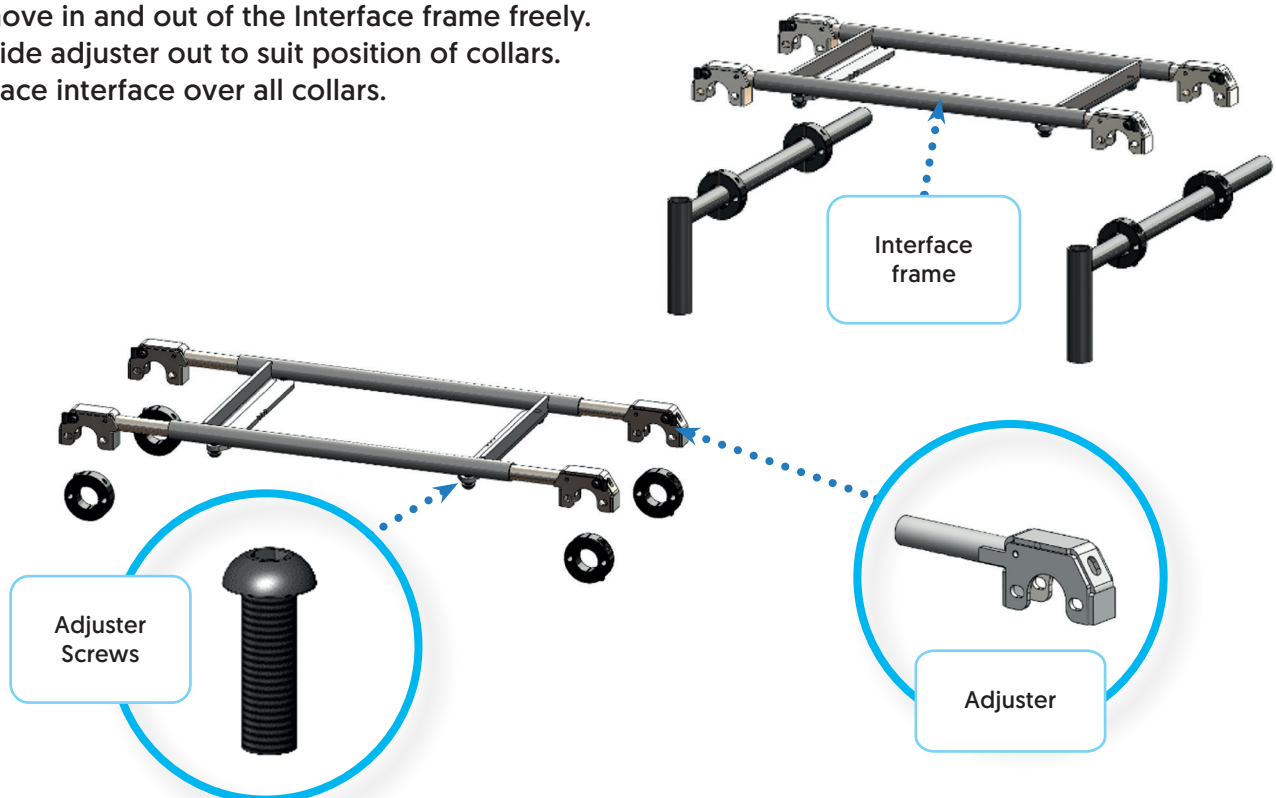
## STEP 1: Set distance/Attach collars

- Remove bolts (x2per) from the collar (x4).
- Split collar
- Measure distance as stated on Page 1.  
[Mark position on base if desired]
- Place collar halves on either side of the leg.
- Replace bolts loosely.



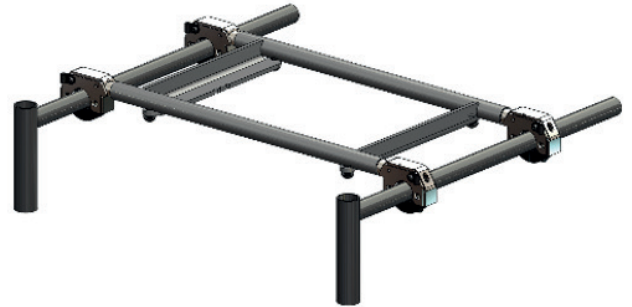
## STEP 2: Attach interface

- Unscrew adjuster screws so adjusters can move in and out of the Interface frame freely.
- Slide adjuster out to suit position of collars.
- Place interface over all collars.



### STEP 3: Secure Interface

- Place pins (x8) through the holes in adjusters and collar to secure frame.
- Pins are all inserted from the front of the base. (see below)
- Secure collar bolts in the following order;
  1. Make sure bolts face outward (see below)
  2. Tighten top bolt until hand tight
  3. Repeat for bottom bolt
  4. Tighten top bolt with 5mm Allen key until secure
  5. Repeat for bottom bolt
- Tighten adjuster screws using 5mm Allen key until tight.



Ensure screws are tight and that the wheelchair is stable in use once the user has been seated.

