

LECKEY[®]

Mygo Max Spare Parts Catalogue



Contents

03	Mygo Max Seat Assembly
05	Backrest Assembly
06	Foot Support Assembly (LH)
07	Foot Support Assembly (RH)
08	Abduction Assembly (LH)
09	Abduction Assembly (RH)
10	Seatbase Assembly
11	Fixed Lateral Assembly
12	Flip Away Lateral Assembly
13	Complex Lateral Assembly
14	Side Pad Assembly
15	Armrest Assembly (LH)
16	Armrest Assembly (RH)
17	Mygo S1 & 2 Style Headrest Assembly
18	Large Headrest With Adjustable Wings Assembly
19	Tray Assembly (Black Or Clear)
20	Standard Sacral Pad And Cover
21	Angle Adjustable Sacral Assembly
22	Interface Replacement Kit
23	Large Femoral Gables
24	Sandal Assembly
25	Standard Cushion Set
26	Memory Foam Cushion Set
27	Handle Bar Assembly
28	Hydraulic Chassis
29	Power Chassis

Please substitute -XX for the following colours when placing order:

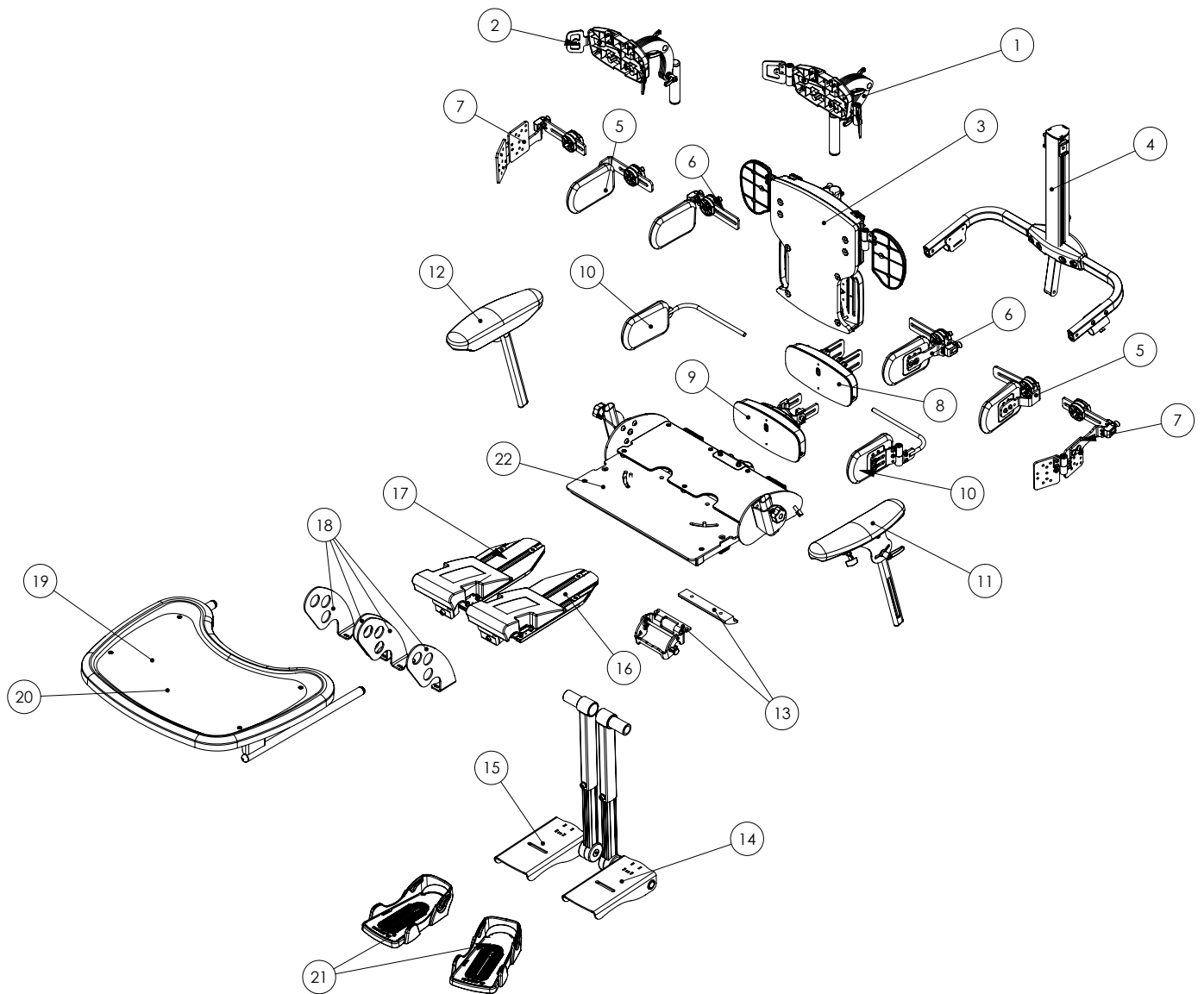
02 - Orange

03 - Blue

04 - Pink

15 - Grey

Mygo Max Seat Assembly



Mygo Max Seat Assembly

Pos.	Leckey Code	Description	Qty
1	161-694	Large Headrest Assembly with Adjustable Wings (with cover)	1
2	161-674	Mygo Size 1 & 2 Style Headrest (with cover)	1
3	161-633	Backrest Assembly	1
4	161-616	Back Spine Assembly	1
5	161-615	Fixed Laterals with covers (Pair)	1
6	161-689	Flip Away Laterals with covers (Pair)	1
7	161-690	Complex Laterals with covers (Pair)	1
8	161-631	Standard Sacral Pad (with cover)	1
9	161-692	Angle Adjustable Sacral Pad (with cover)	1
10	161-696	Side Pads with covers (Pair)	1
11	161-647	Armrest Assembly (LH)	1
12	161-648	Armrest Assembly (RH)	1
13	161-668	Interface Assembly	1
14	161-683	Foot Support Assembly (LH)	1
15	161-684	Foot Support Assembly (RH)	1
16	161-651	Abduction Assembly (LH)	1
17	161-652	Abduction Assembly (RH)	1
18	161-608	Large Femorals (with covers)	1
19	161-664	Tray Assembly (Black)	1
20	161-695	Tray Assembly (Clear)	1
21	152-3600	Sandal Assembly (Pair)	1
22	161-601	Seatbase Assembly	1
23	161-900-XX	Cushion Set (Standard)	1
24	161-961-XX	Cushion Set (Memory Foam Seat base)	1

Please substitute -XX for the following colours when placing order:

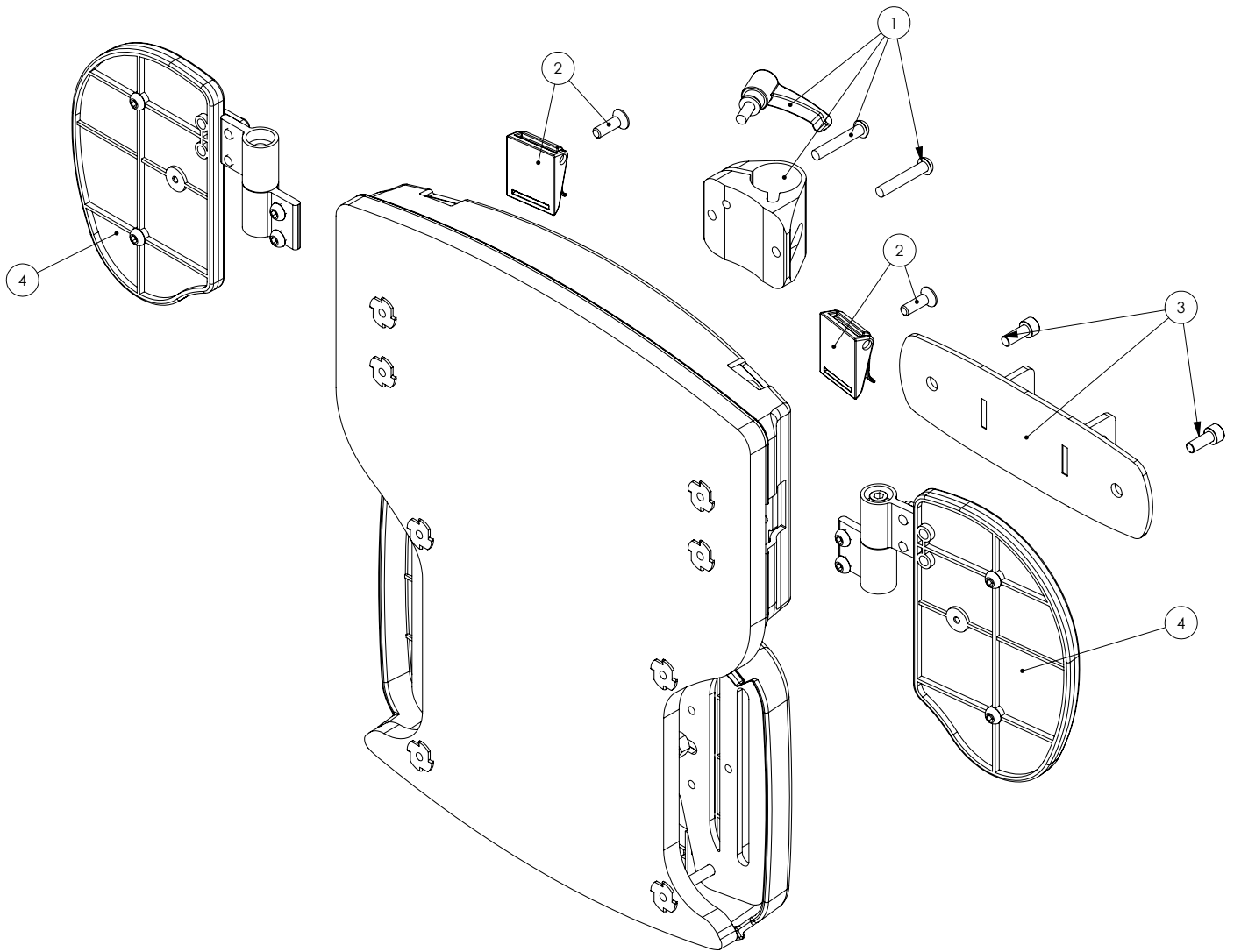
02 - Orange

03 - Blue

04 - Pink

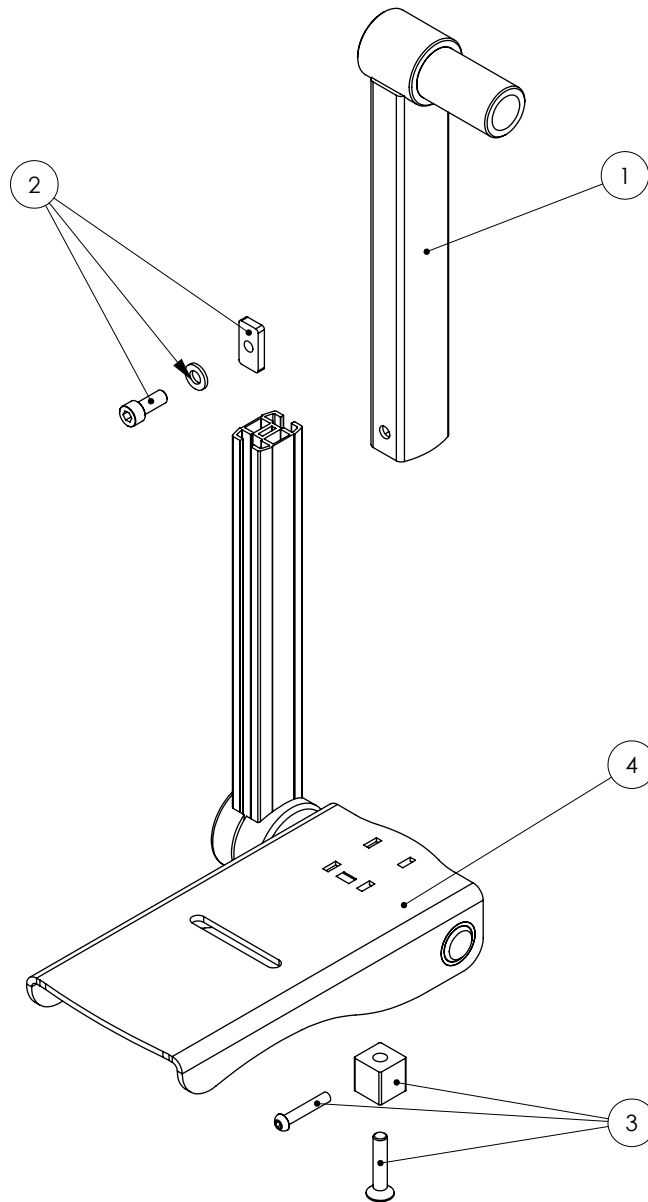
15 - Grey

Backrest Assembly



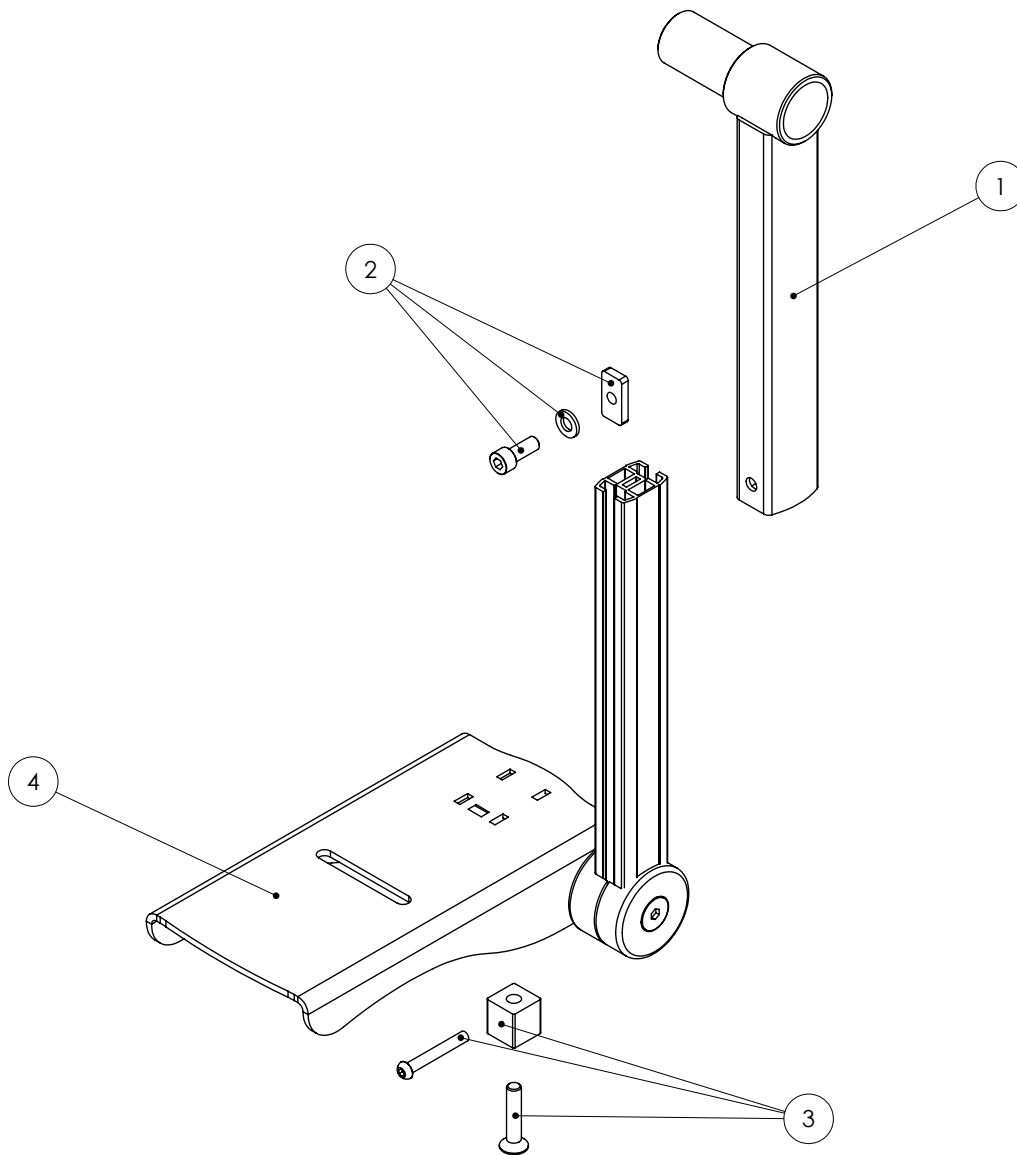
Pos.	Leckey Code	Description	Qty
1	161-1000	Headrest Attachment Kit	1
2	161-1001	Camlock Attachment Kit	1
3	161-1002	Backrest Attachment Kit	1
4	161-1003	Shoulder Wing Kit (Pair)	1

Foot Support Assembly (LH)



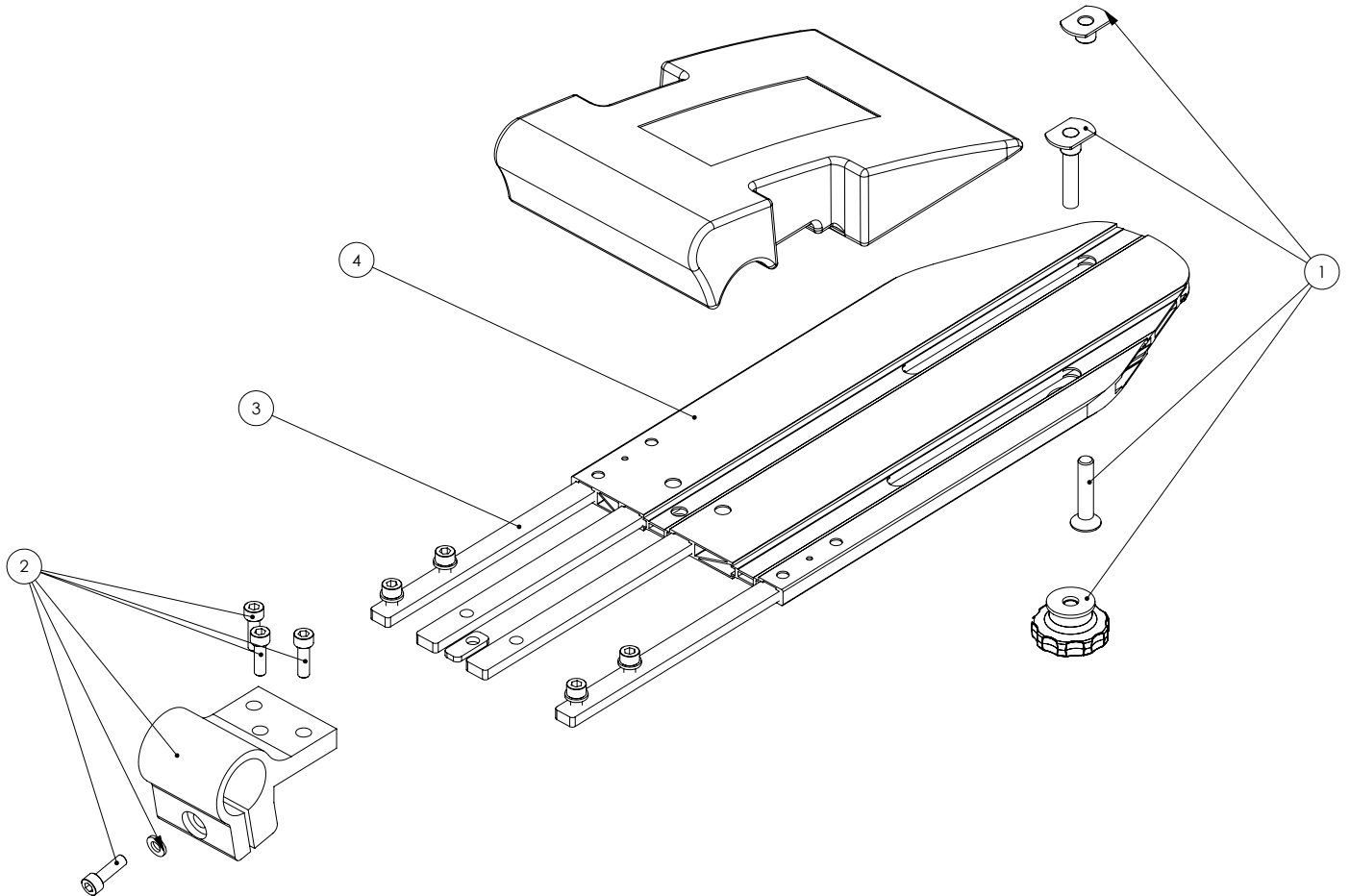
Pos.	Leckey Code	Description	Qty
1	133-654	Calf Support Outer LH	1
2	161-1004	Calf Height Adjustment Kit	1
3	161-1005	Angle Adjustment Kit	1
4	161-1006	Footplate Replacement Kit	1

Foot Support Assembly (RH)



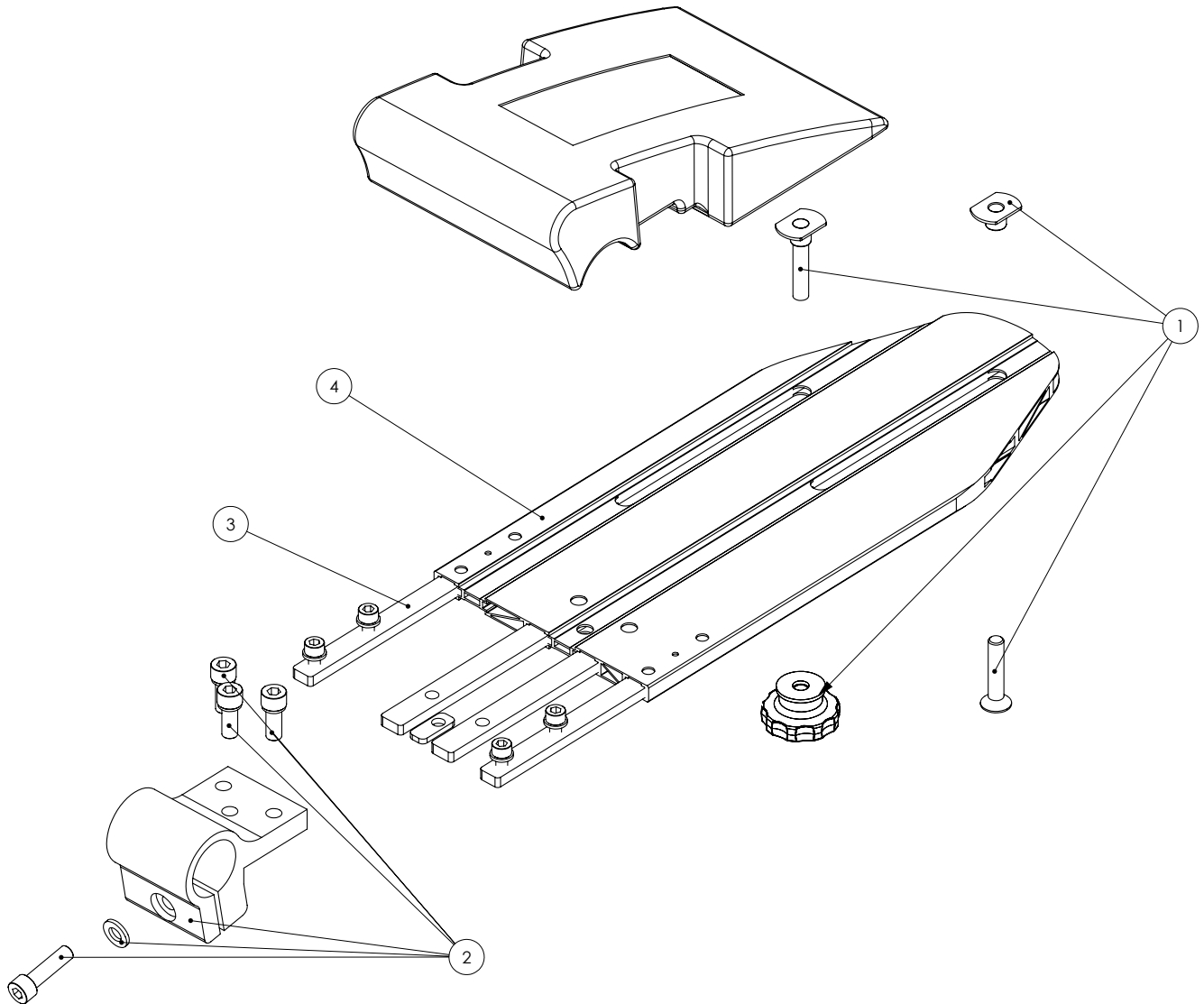
Pos.	Leckey Code	Description	Qty
1	133-654	Calf Support Outer LH	1
2	161-1004	Calf Height Adjustment Kit	1
3	161-1005	Angle Adjustment Kit	1
4	161-1006	Footplate Replacement Kit	1

Abduction Assembly (LH)



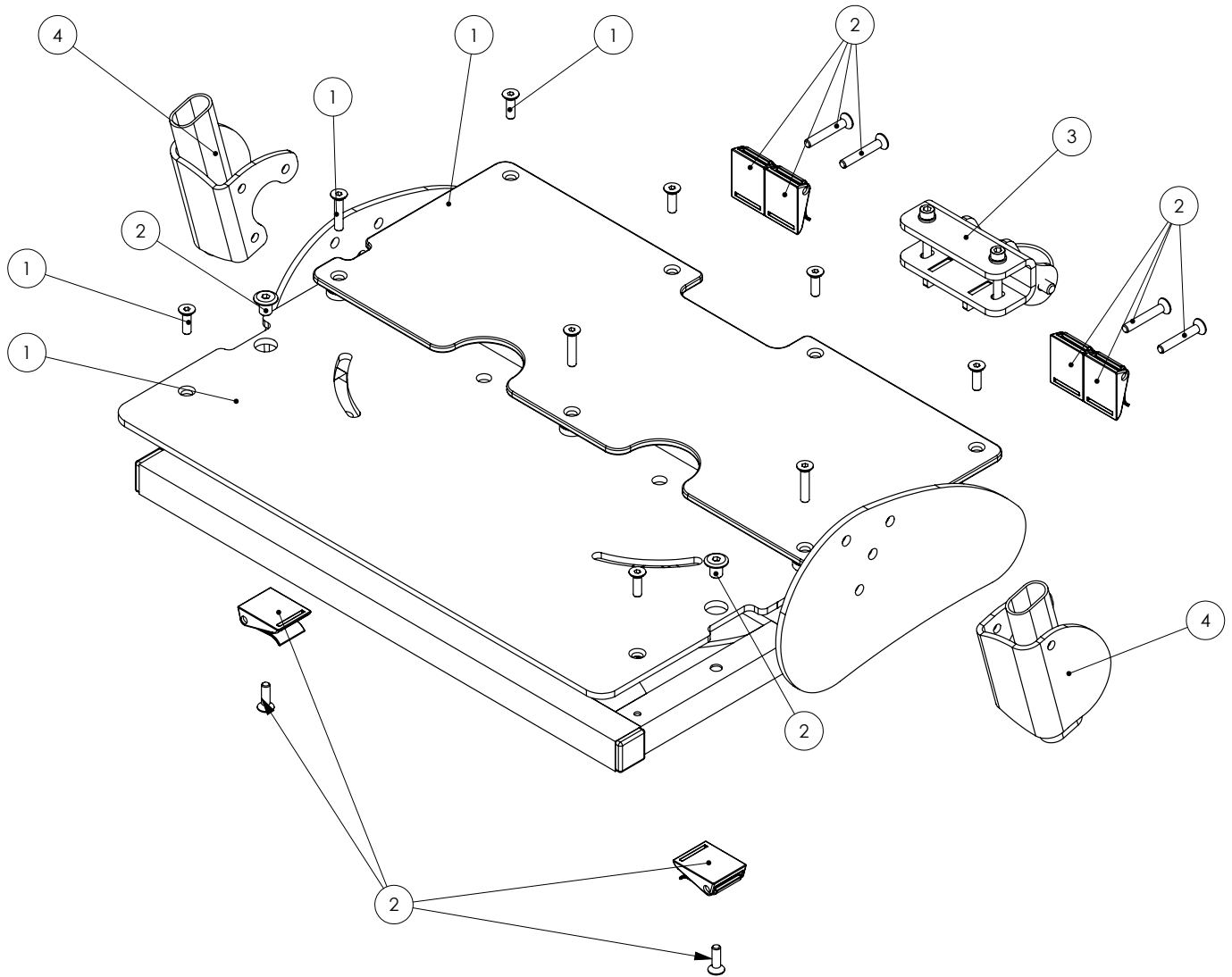
Pos.	Leckey Code	Description	Qty
1	161-1007	Abduction Adjustment Kit	1
2	161-1008	Calf Support Clamp Kit	1
3	161-1009	Flat Headrest Laterals & Covers	1
4	139-210	Femoral Guide LH	1

Abduction Assembly (RH)



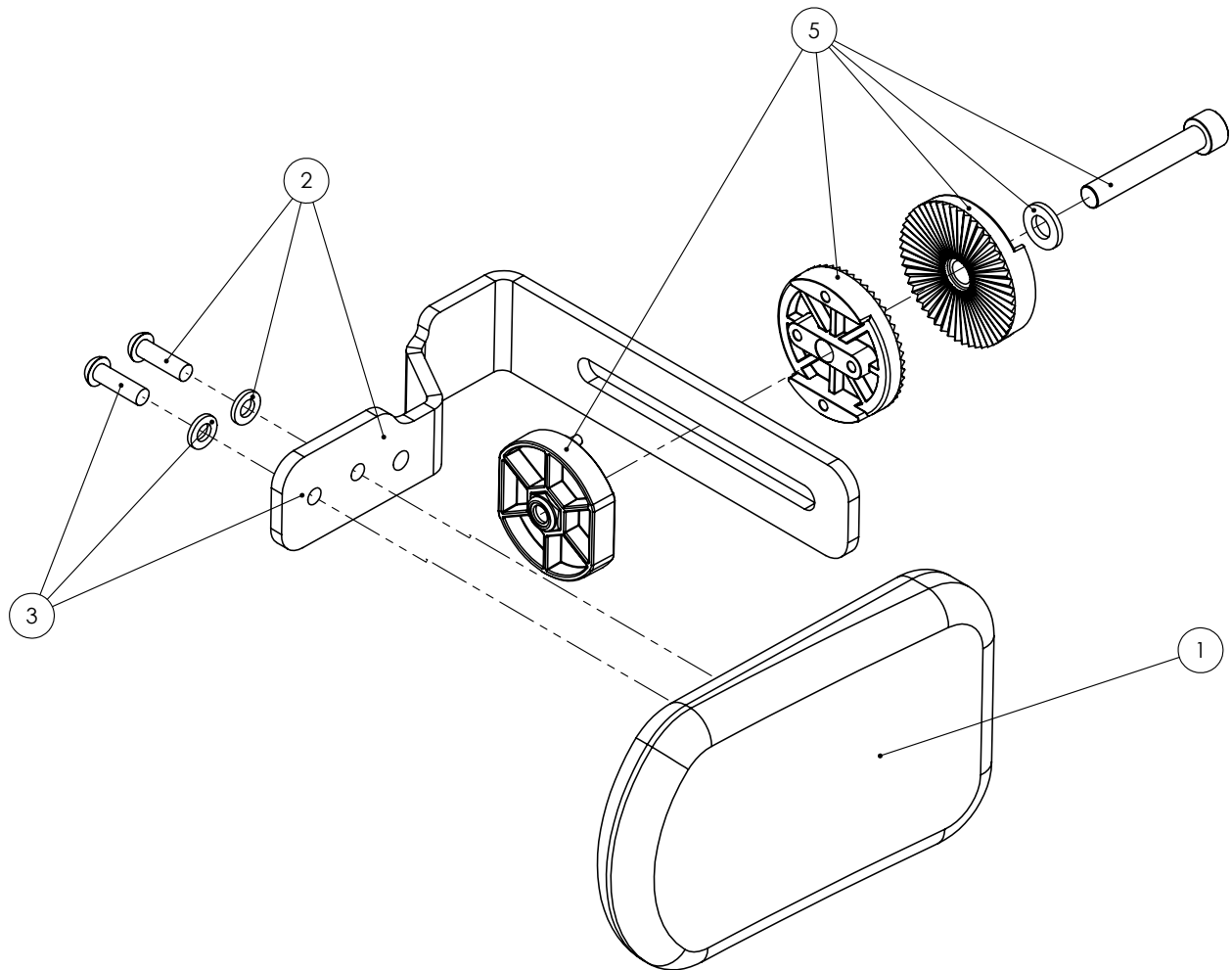
Pos.	Leckey Code	Description	Qty
1	161-1007	Abduction Adjustment Kit	1
2	161-1008	Calf Support Clamp Kit	1
3	161-1009	Femoral Strengthening Kit	1
4	139-210	Femoral Guide LH	1

Seatbase Assembly



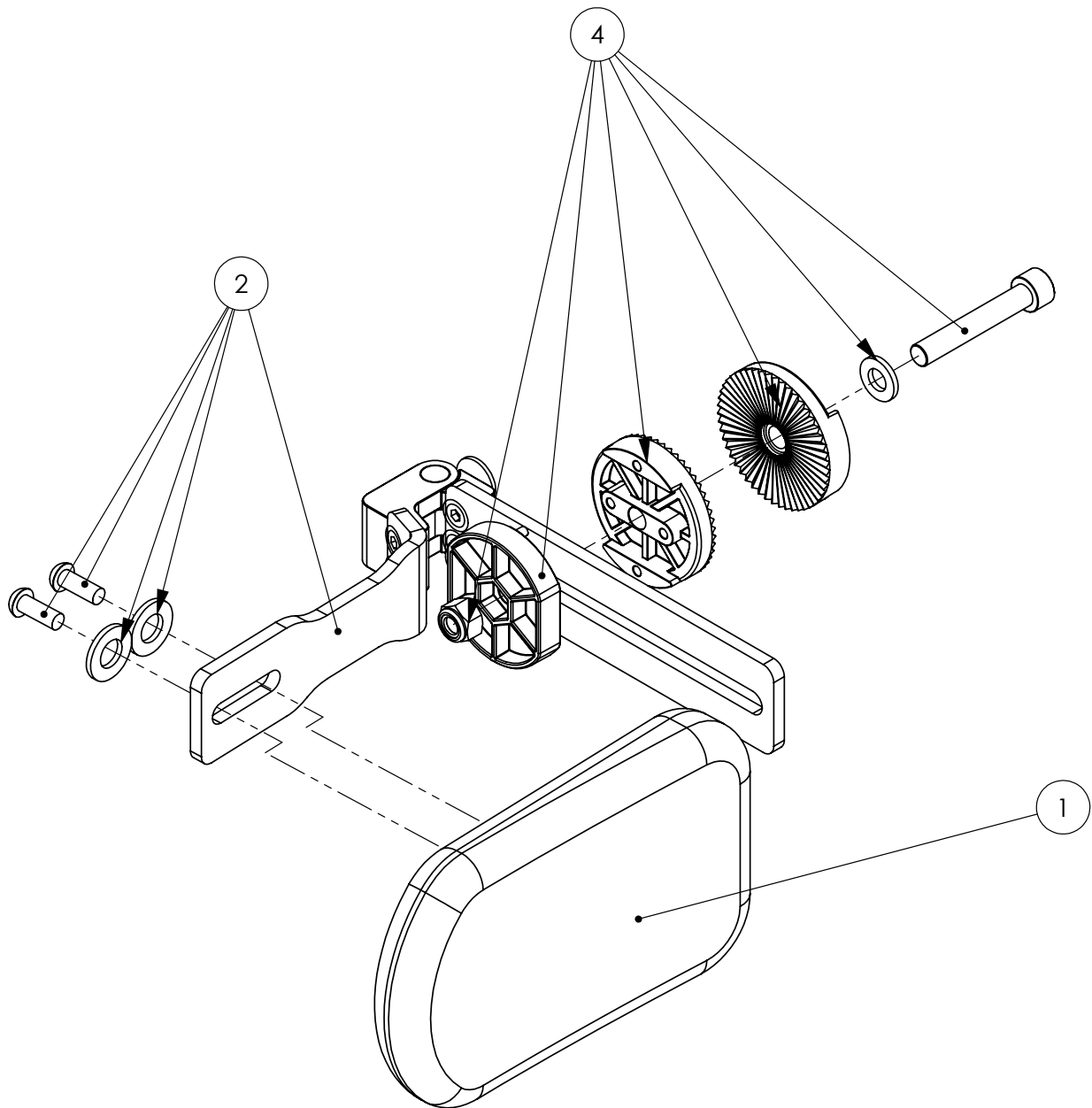
Pos.	Leckey Code	Description	Qty
1	161-1057	ABS Replacement Kit	1
2	161-1058	Camlock Attachment Kit	1
3	161-1059	Rear Lug Replacement Kit	1
4	161-1060	Armrest Reciever Replacement Kit (Pair)	1

Fixed Lateral Assembly



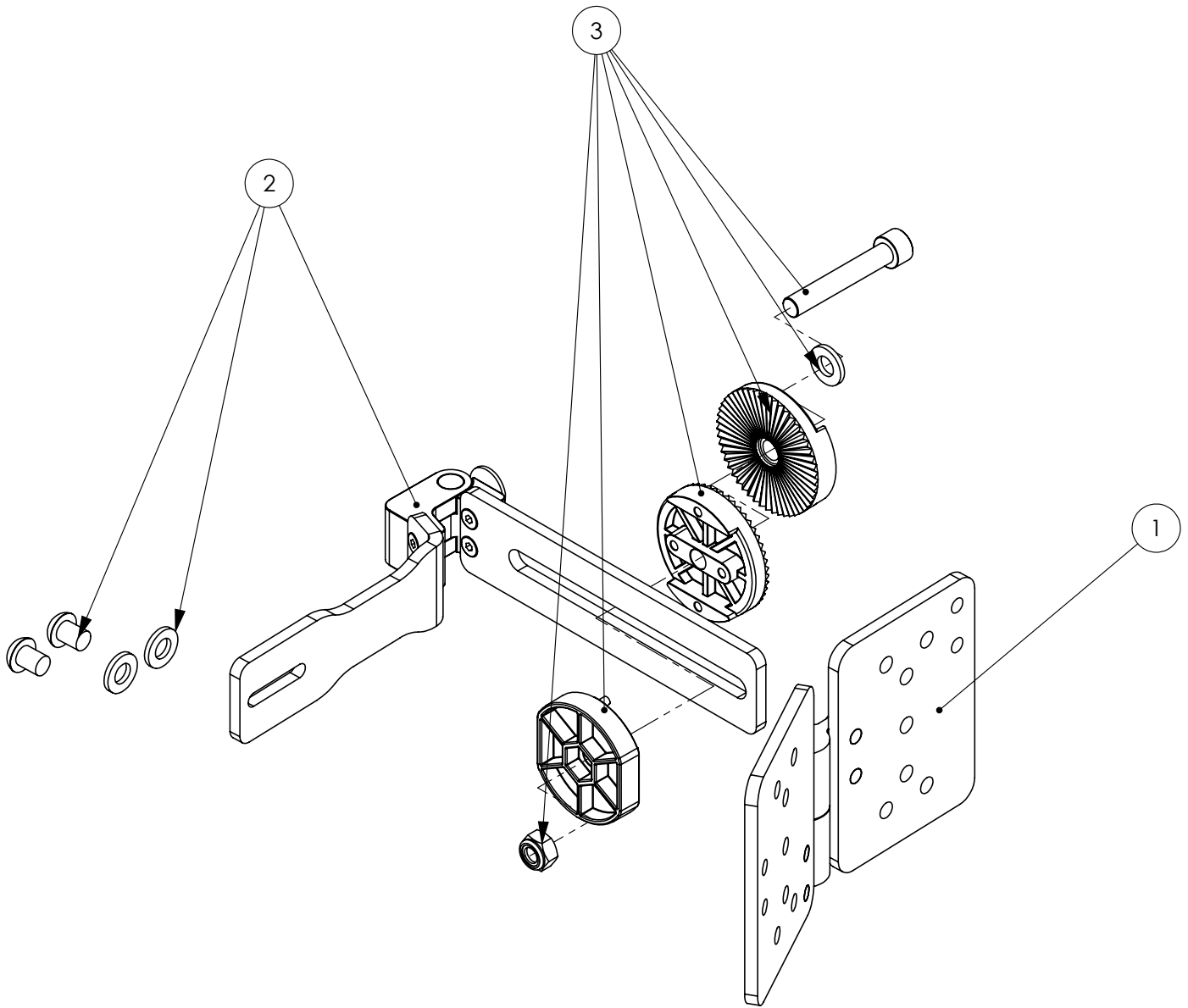
Pos.	Leckey Code	Description	Qty
1	161-1014	Lateral Assembly (Single)	1
2	161-1015	Lateral Bracket & Screw Kit LH	1
3	161-1016	Lateral Bracket & Screw Kit RH	1
4	161-1017	Harness Buckle Attachment (Single)	1
5	161-1018	Angle Lock Assembly (Single)	1
6	151-3750-05	Lateral Covers (Pair)	1

Flip Away Lateral Assembly



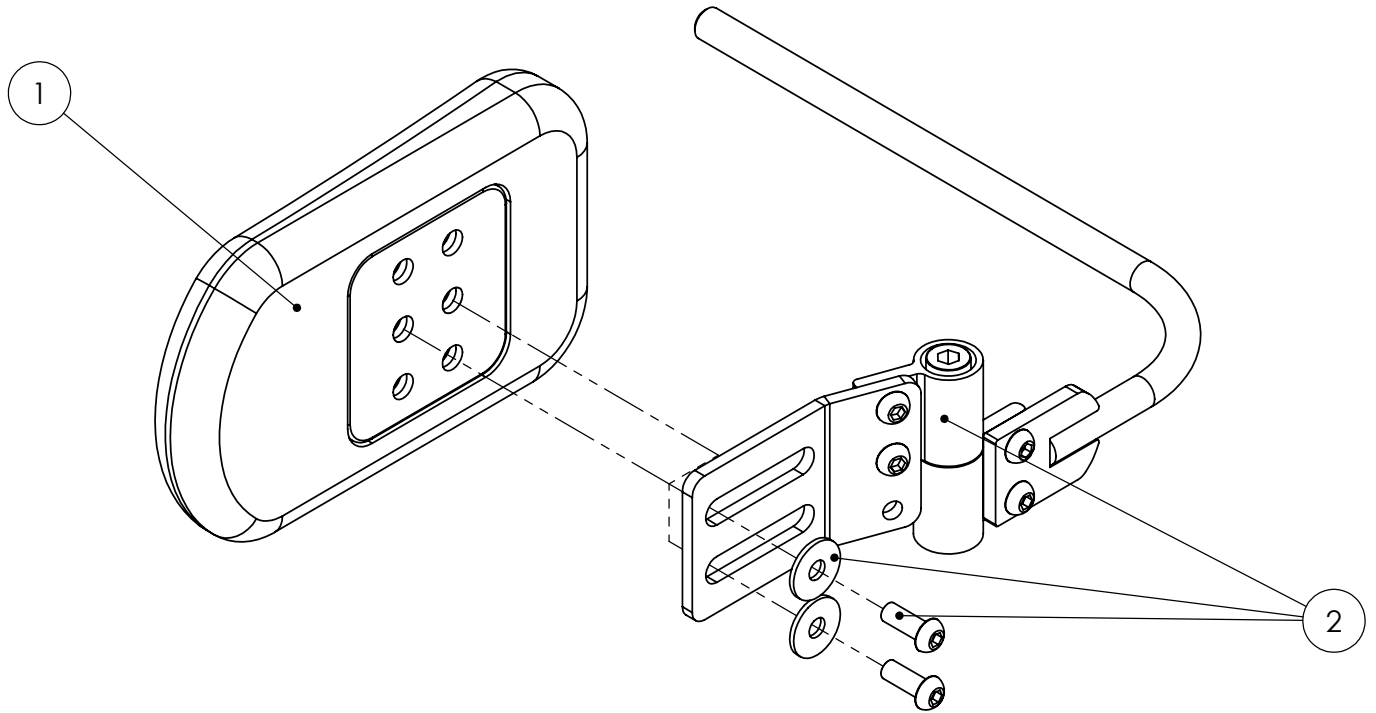
Pos.	Leckey Code	Description	Qty
1	161-1014	Lateral Assembly (Single)	1
2	161-1021	Lateral Bracket & Screw Kit (Single)	1
3	161-1017	Harness Buckle Attachment (Single)	1
4	161-1018	Angle Lock Assembly (Single)	1
5	151-3750-05	Lateral Covers (Pair)	1

Complex Lateral Assembly



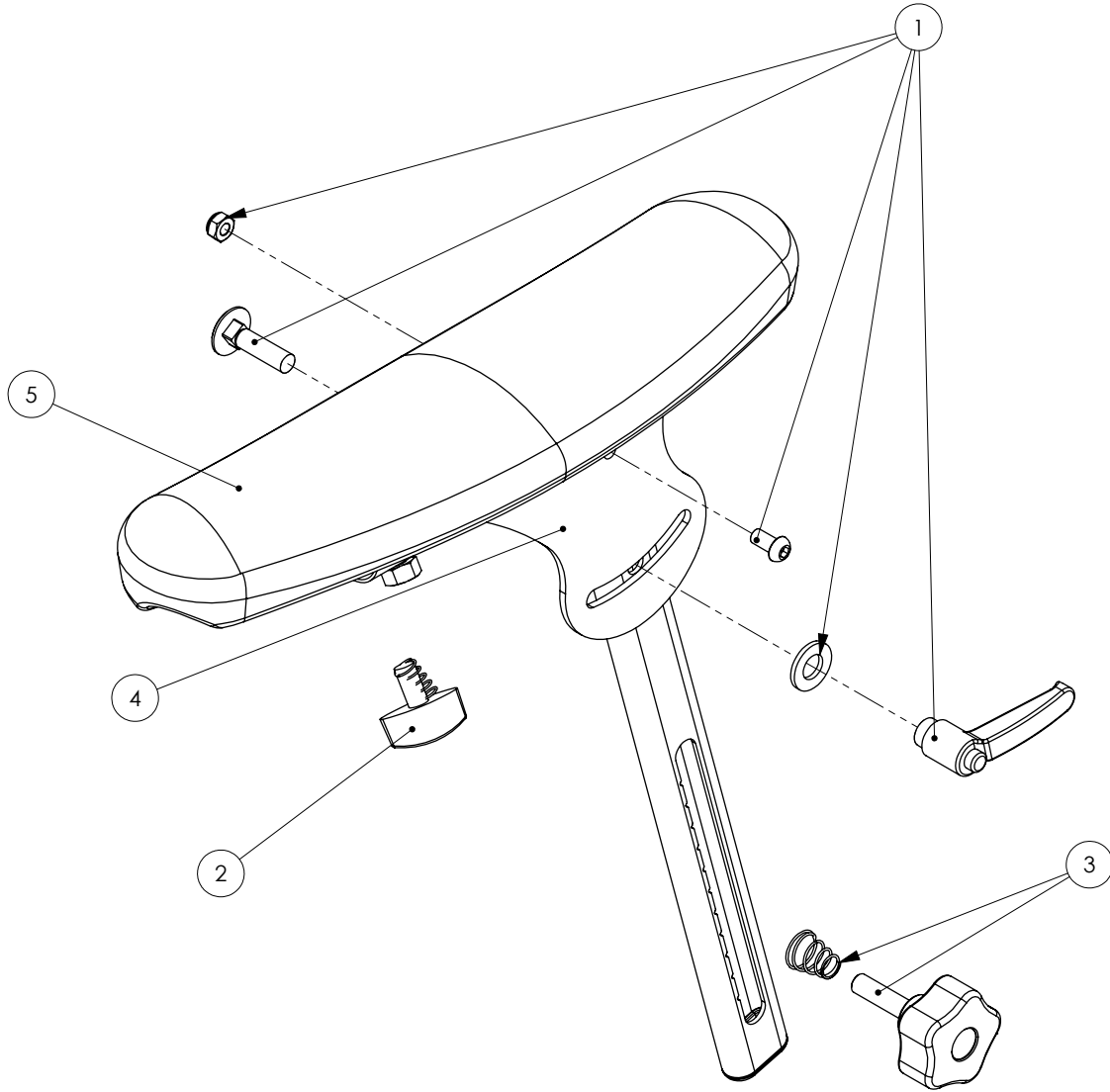
Pos.	Leckey Code	Description	Qty
1	161-1020	Complex Lateral Assembly (Single)	1
2	161-1021	Lateral Bracket & Screw Kit (Single)	1
3	161-1018	Angle Lock Assembly (Single)	1
4	133-791	Lateral Covers (Pair)	1

Side Pad Assembly



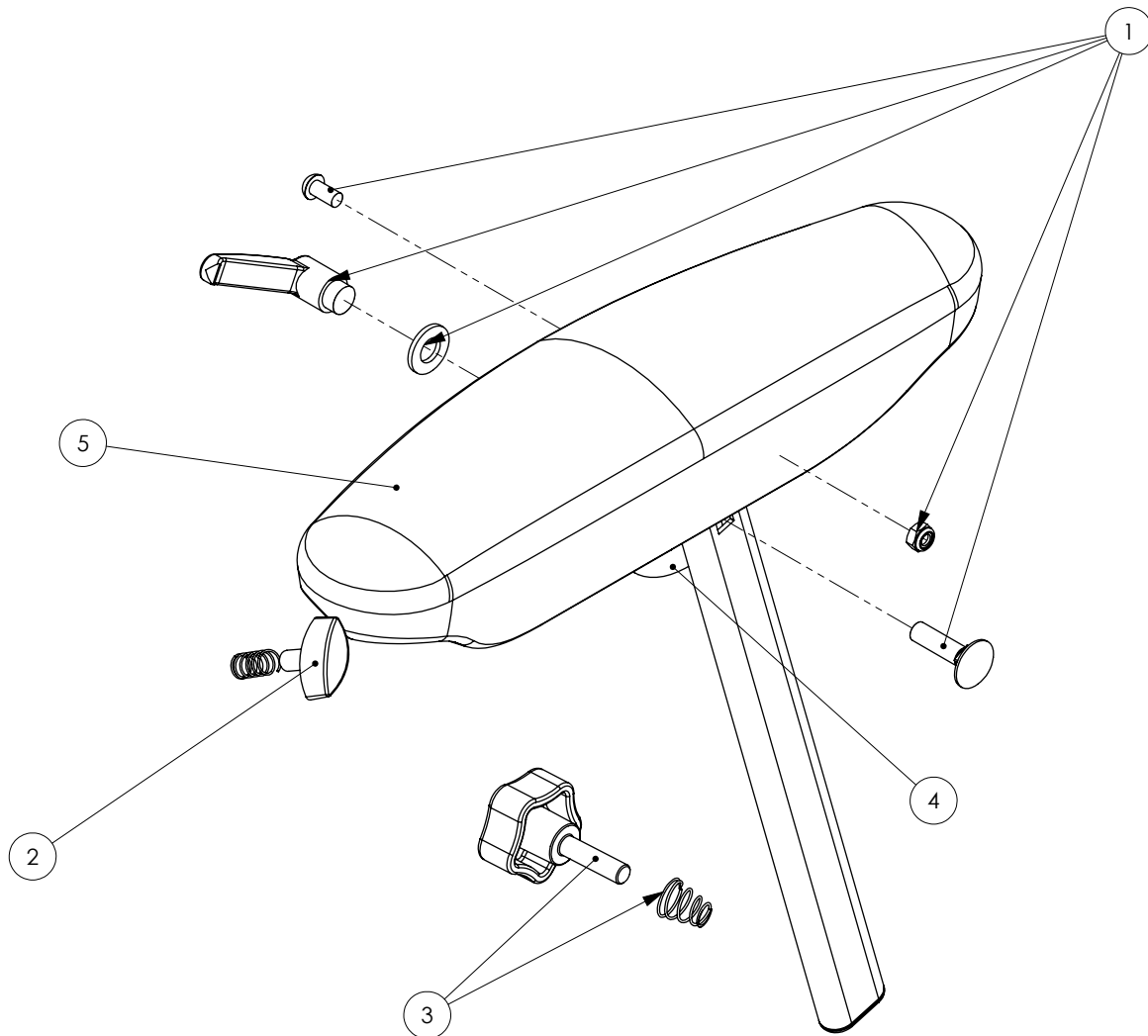
Pos.	Leckey Code	Description	Qty
1	161-1014	Lateral Assembly (Single)	1
2	161-1022	Side Pad Bracket & Screw Kit (Single)	1
3	151-3750-05	Lateral Covers (Pair)	1

Armrest Assembly (LH)



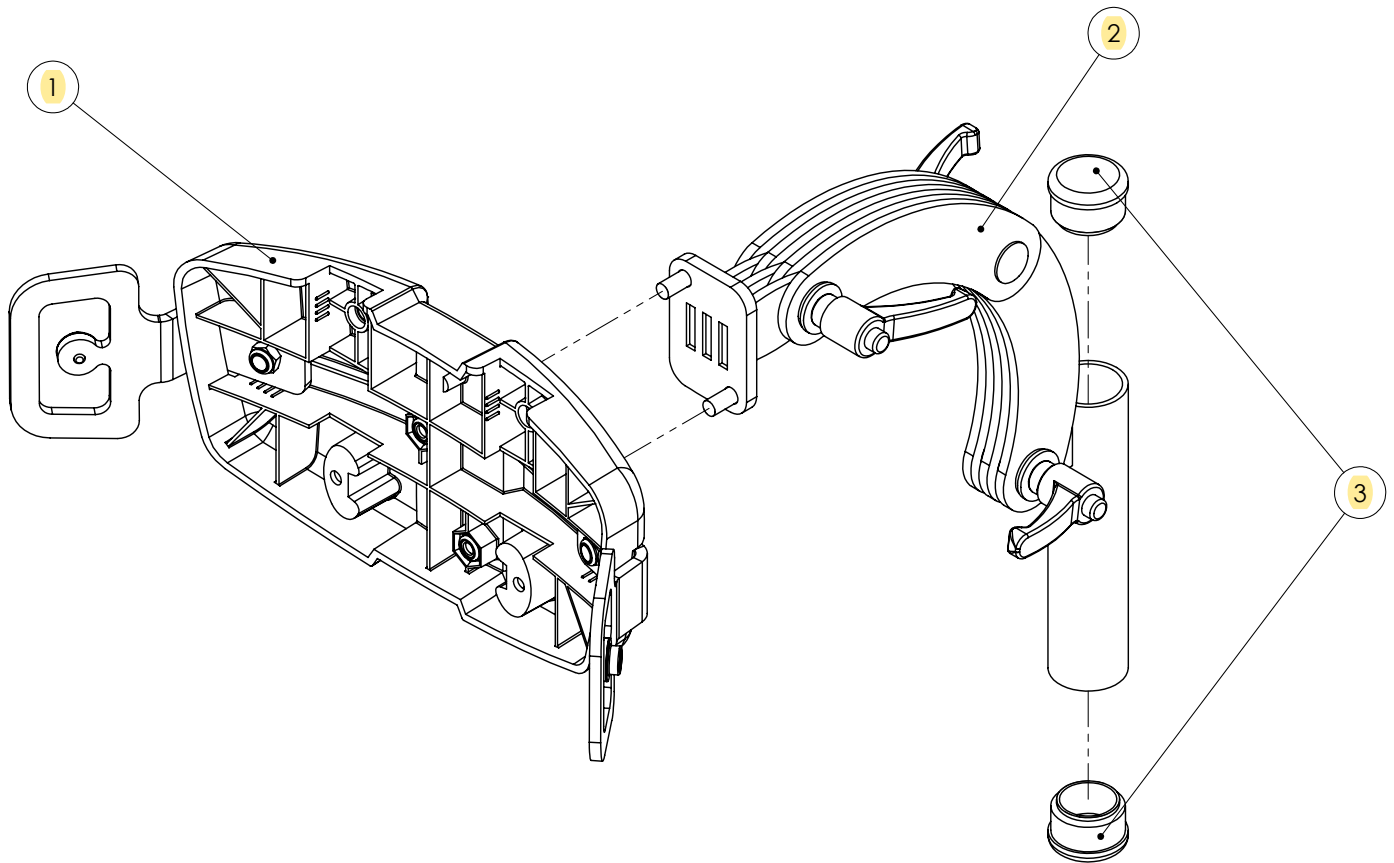
Pos.	Leckey Code	Description	Qty
1	161-1023	Armrest Adjctment Kit	1
2	161-1024	Tray to Armrest Wing Nut	1
3	161-1025	Armrest Lock Kit	1
4	161-1026	Armrest Frame Kit LH	1
5	161-1027	Armrest PU Kit	1

Armrest Assembly (RH)



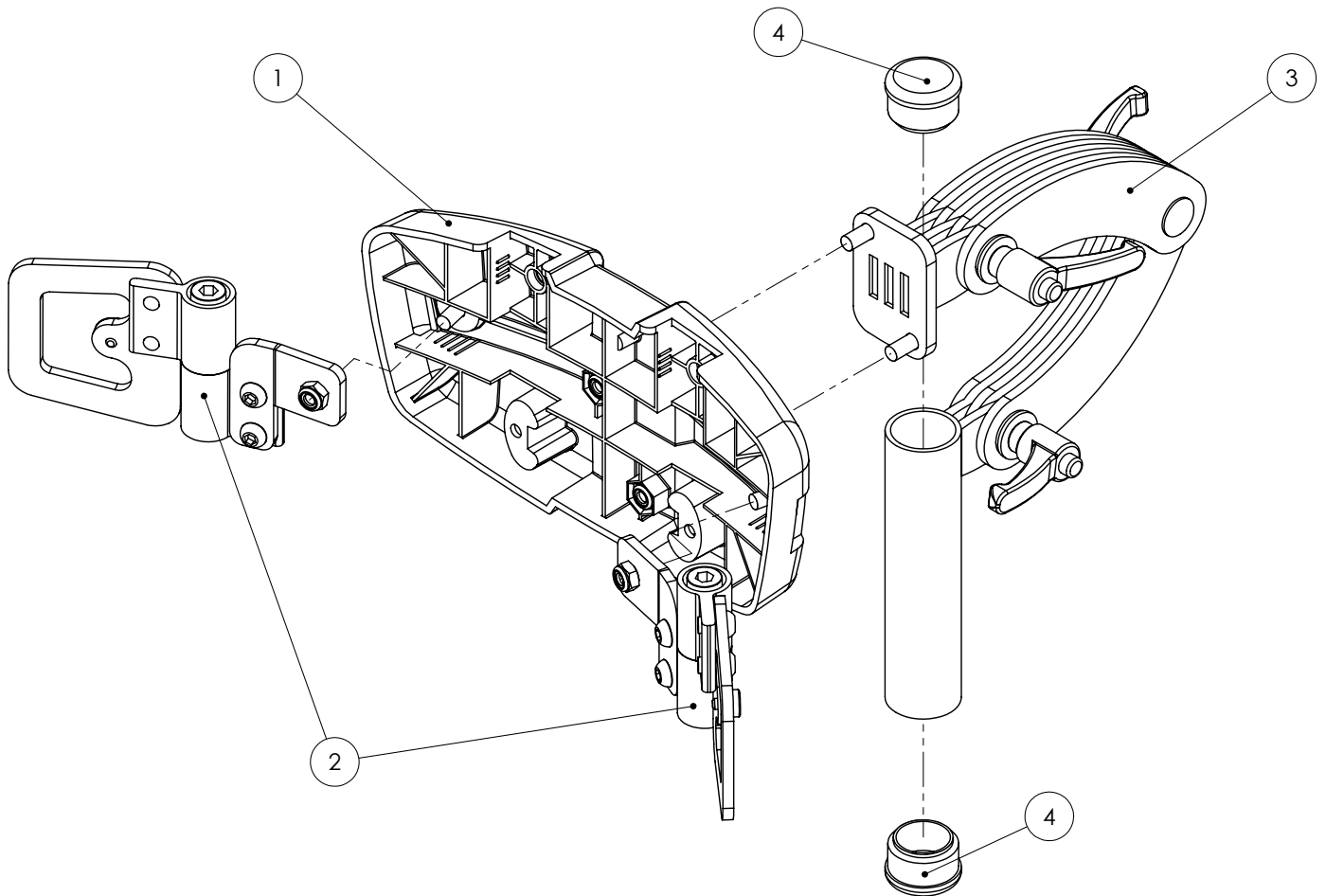
Pos.	Leckey Code	Description	Qty
1	161-1023	Armrest Adjustment Kit	1
2	161-1024	Tray to Armrest Wing Nut	1
3	161-1025	Armrest Lock Kit	1
4	161-1028	Armrest Frame Kit RH	1
5	161-1027	Armrest PU Kit	1

Mygo S1 & 2 Style Headrest Assembly



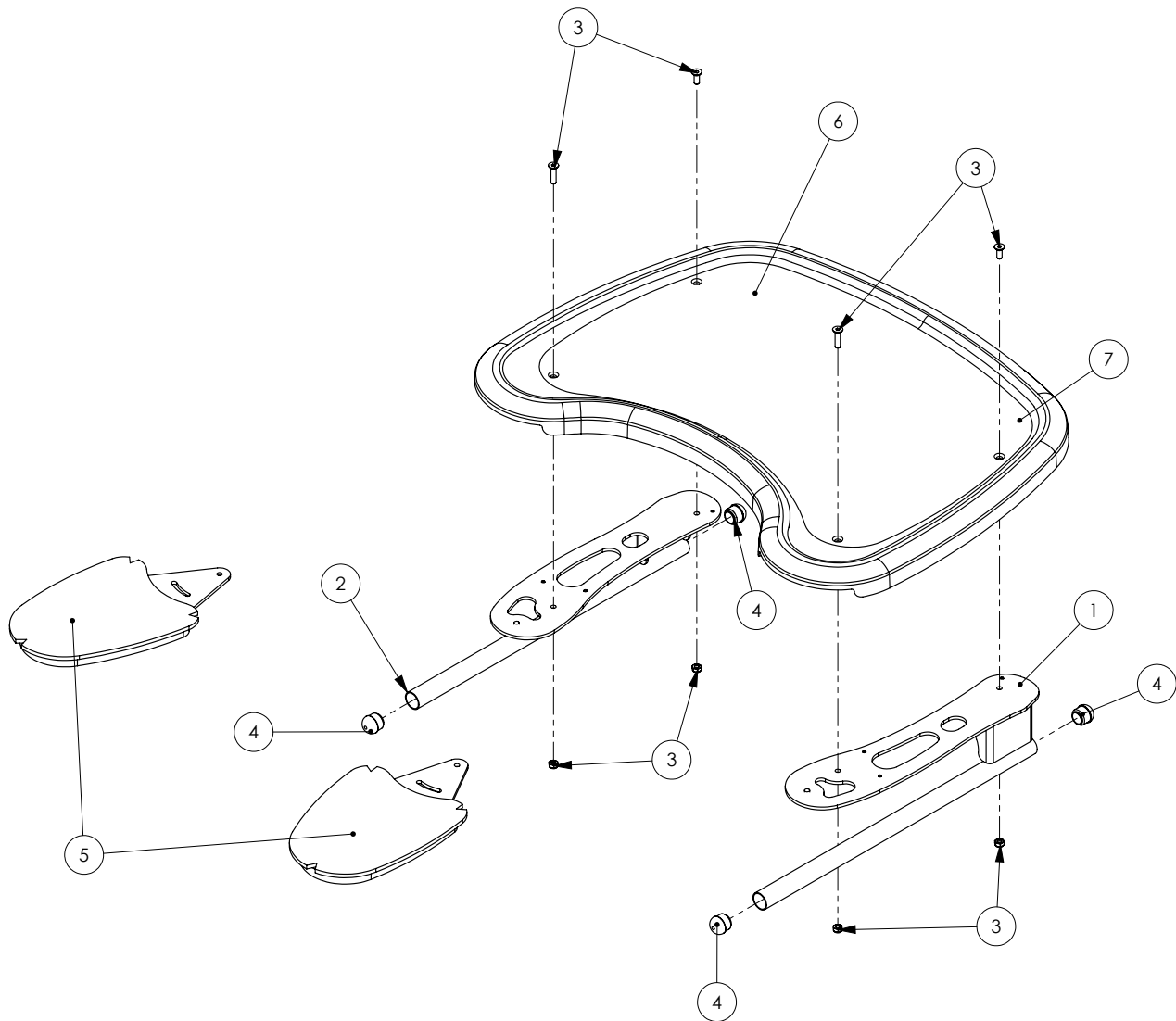
Pos.	Leckey Code	Description	Qty
1	161-1029	Contoured Headrest (Hardware Only)	1
2	161-1030	Headrest Post & Adjustment Assembly	1
3	161-1031	Round Tube Inserts	1
4	137-800-05	Contoured Headrest Cushion	1

Large Headrest with Adjustable Wings Assembly



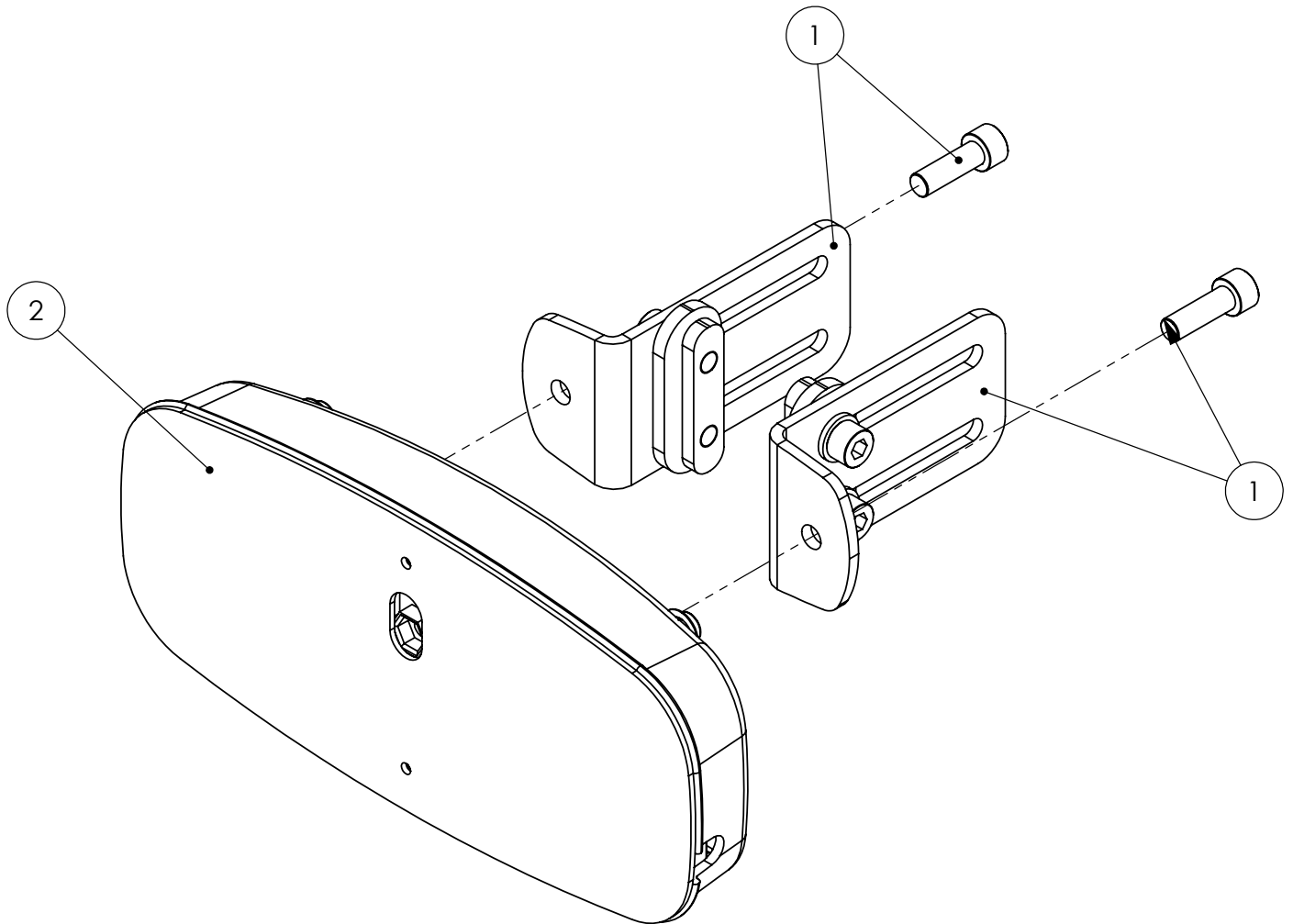
Pos.	Leckey Code	Description	Qty
1	161-1032	Contoured Headrest (Hardware Only)	1
2	161-1033	Large Headrest Lateral Assembly	1
3	161-1030	Headrest Post & Adjustment Assembly	1
4	161-1031	Round Tube Inserts	1
5	161-966	Contoured Headrest Cushion	1

Tray Assembly (Black or Clear)



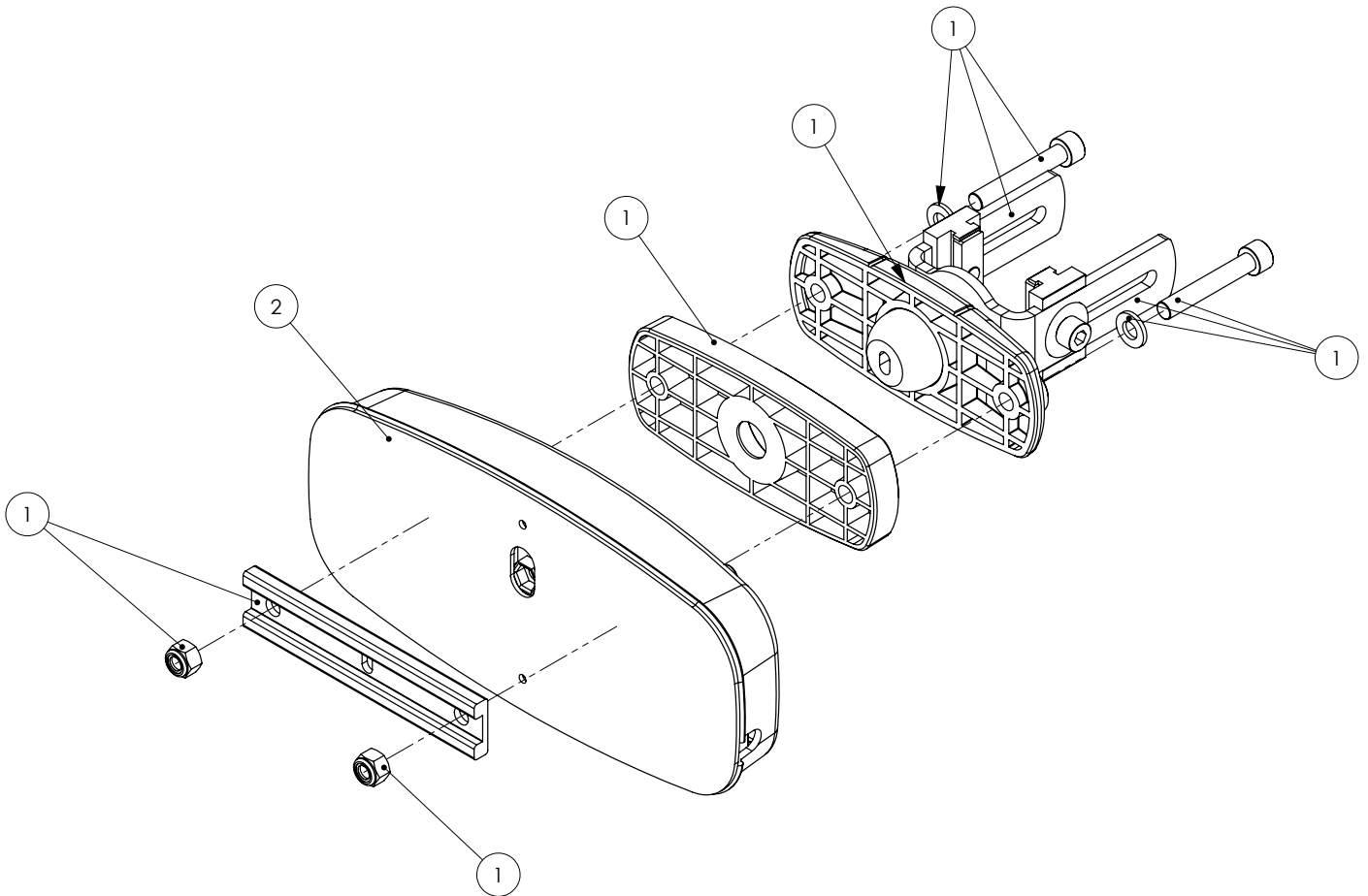
Pos.	Leckey Code	Description	Qty
1	161-1034	Tray Bar Assembly RH	1
2	161-1035	Tray Bar Assembly LH	1
3	161-1036	Tray Bar Screw Kit	1
4	161-1037	Round Tube Insert	1
5	161-1038	Elbow Pad Kit	1
6	133-196	Tray- Black	1
7	133-195	Tray- Clear	1

Standard Sacral Pad And Cover



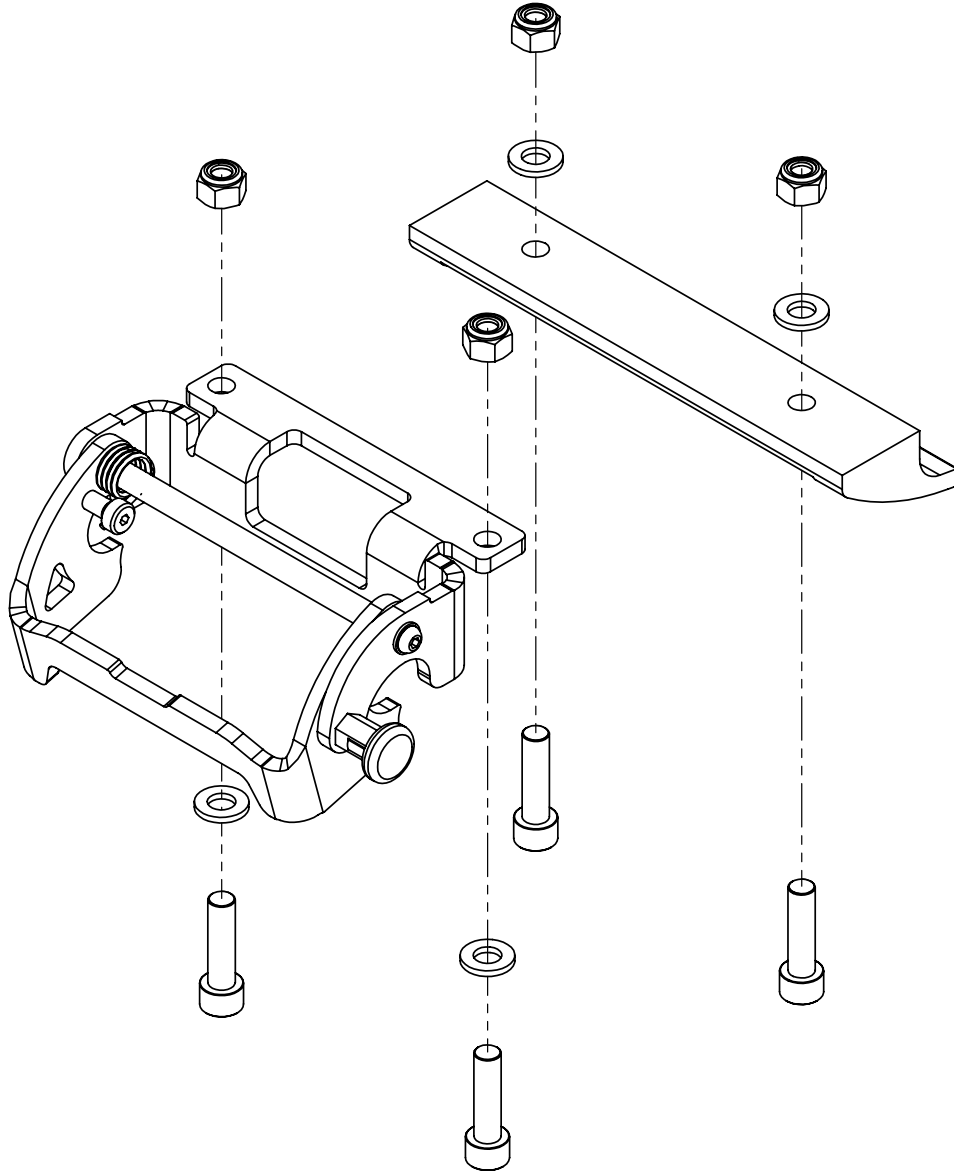
Pos.	Leckey Code	Description	Qty
1	161-1039	Sacral Attachment Assembly	1
2	161-1040	Sacral Assembly (Hardware Only)	1
3	161-971	Sacral Pad Cover	1

Angle Adjustable Sacral Assembly



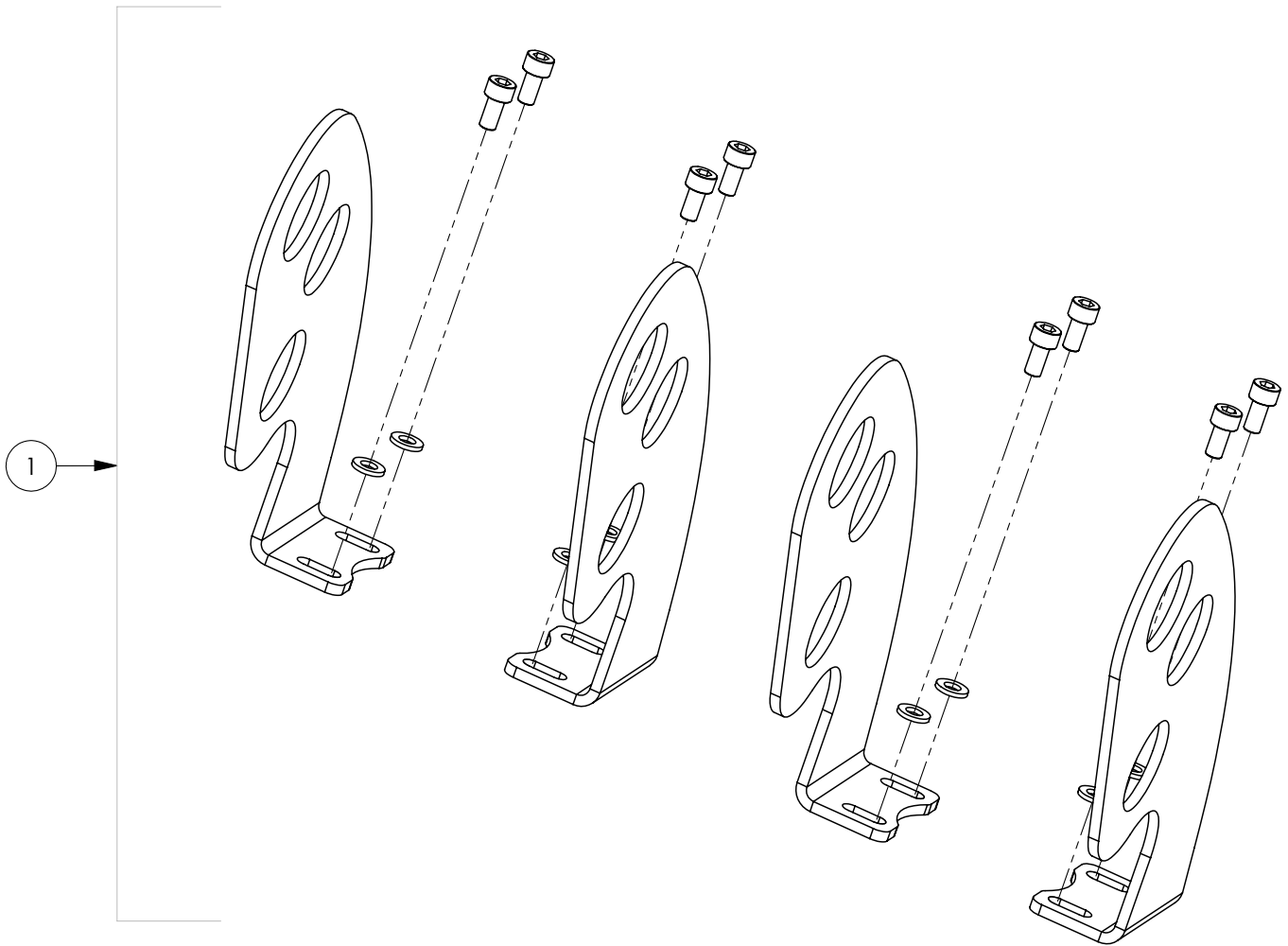
Pos.	Leckey Code	Description	Qty
1	161-1041	Sacral Attachment Assembly	1
2	161-1040	Sacral Assembly (Hardware Only)	1
3	161-971	Sacral Pad Cover	1

Interface Assembly



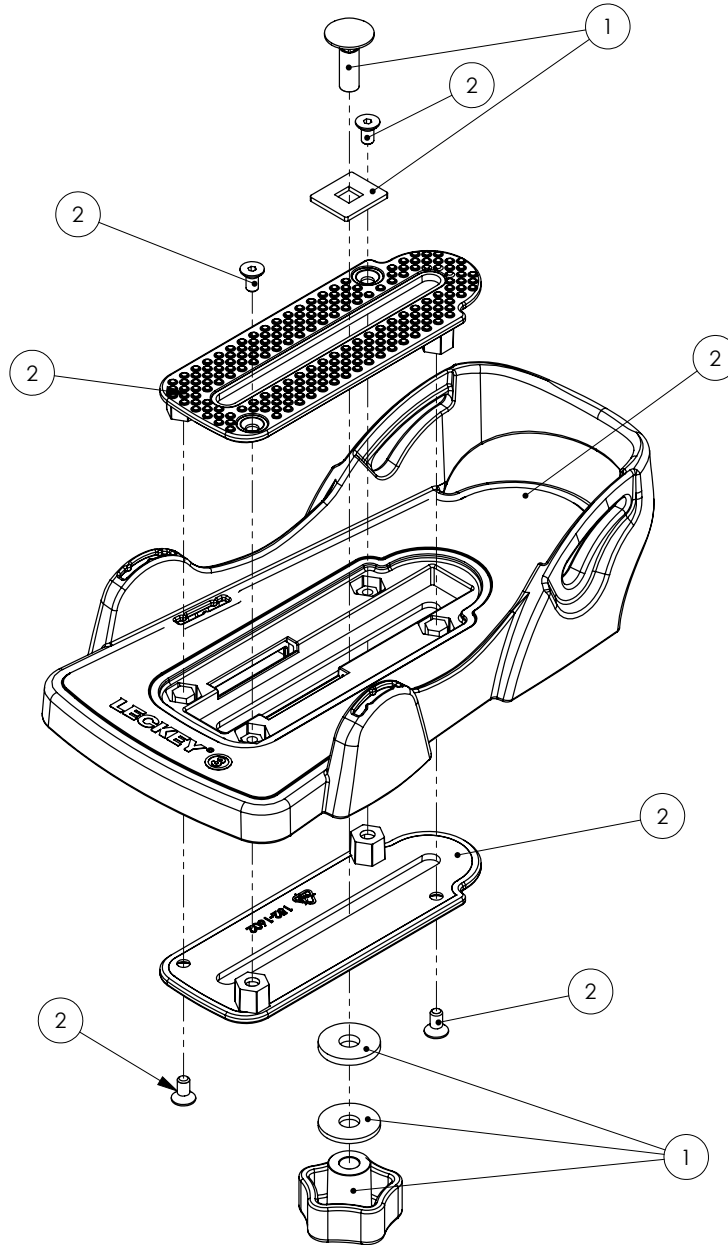
Pos.	Leckey Code	Description	Qty
1	161-668	Interface Replacement Kit	1

Large Femoral Gables



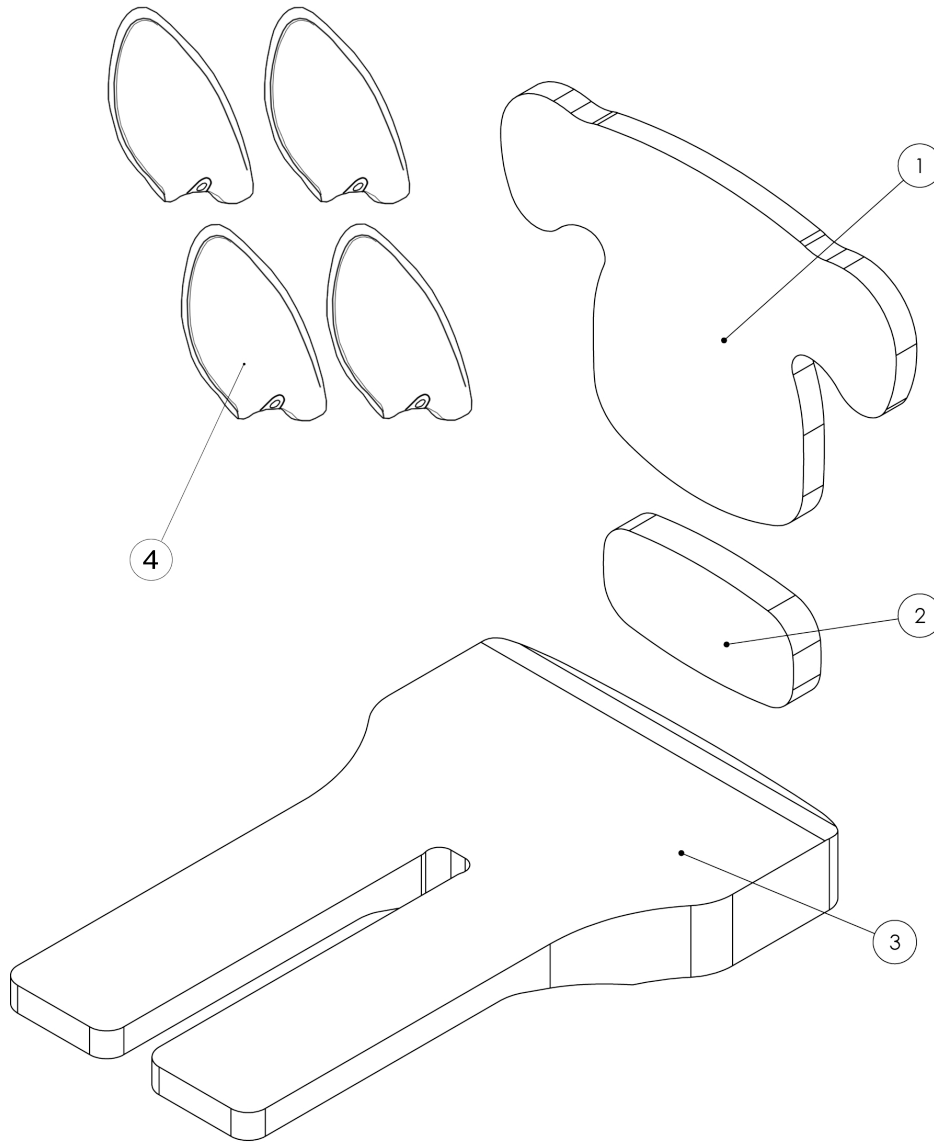
Pos.	Leckey Code	Description	Qty
1	161-1042	Large Femoral Replacement Kit (Hardware Only)	1
2	161-965	Large Femoral Cover Set	1

Sandal Assembly



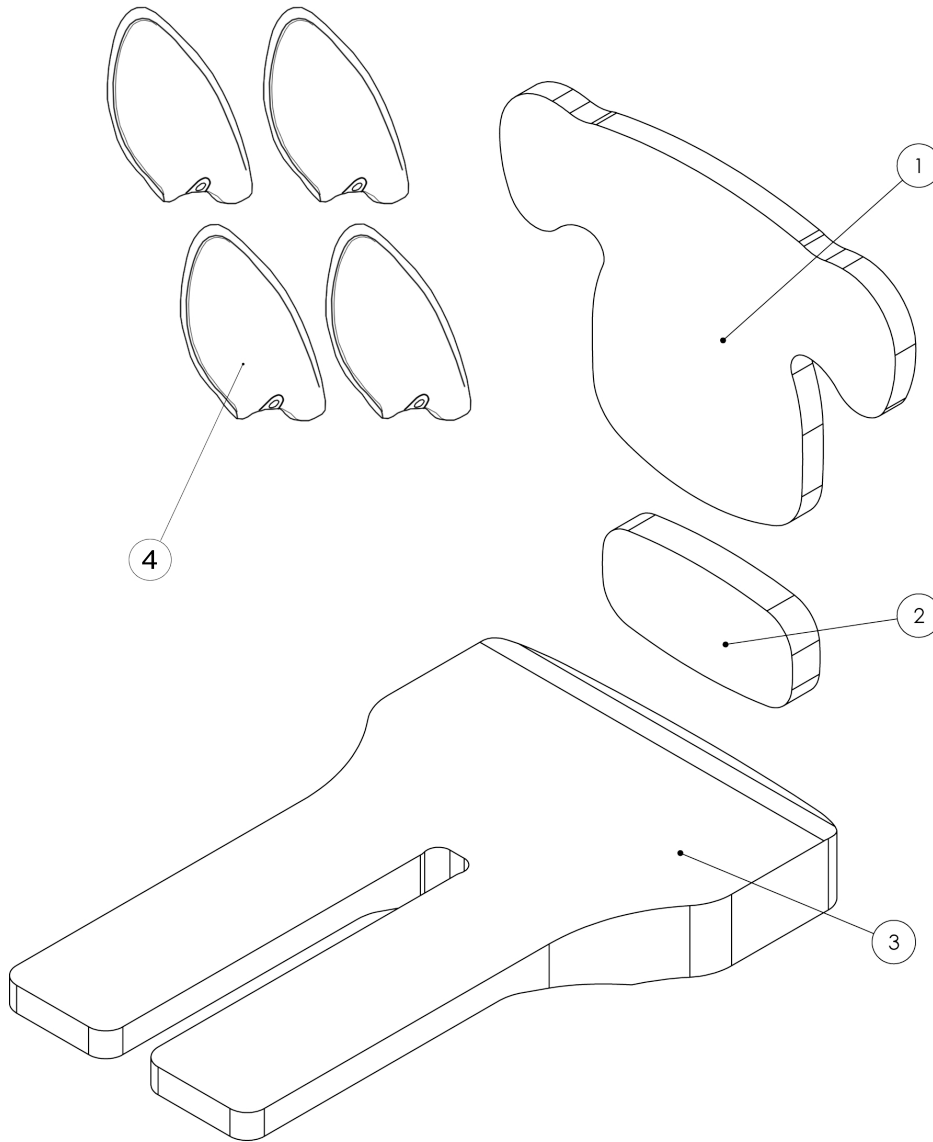
Pos.	Leckey Code	Description	Qty
1	161-1043	Sandal Adjustment Kit	1
2	161-1044	Sandal Replacement Kit	1
3	161-1045	Sandal Strap Replacement Kit	1

Standard Cushion Set



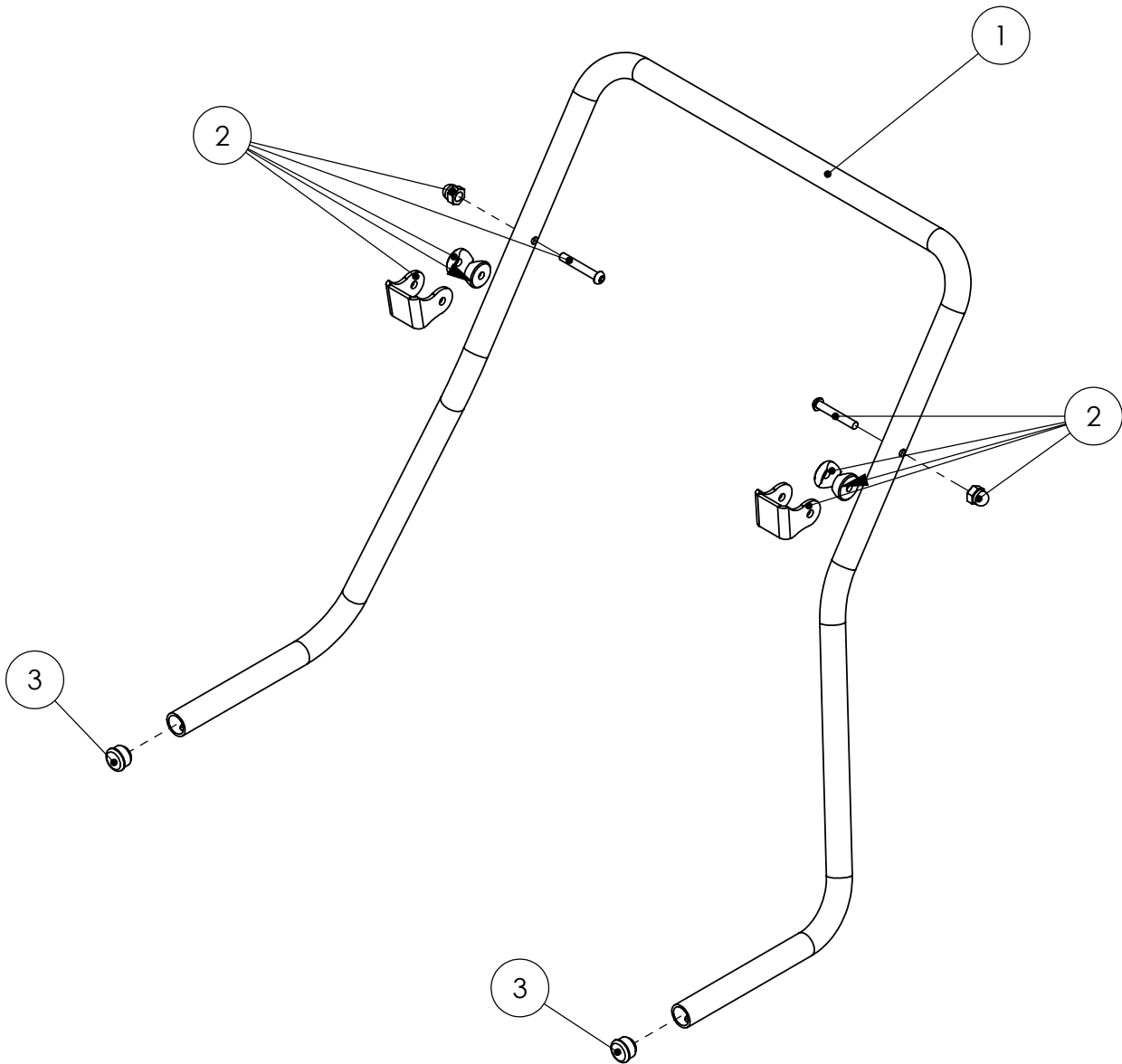
Pos.	Leckey Code	Description	Qty
1	161-970-XX	Backrest Upholstery Kit	1
2	161-971	Sacral Upholstery Kit	1
3	161-969-XX	Seat base Upholstery Kit (Standard Cushion)	1
4	161-989	Femoral Cover Set (4 of)	1

Memory Foam Cushion Set



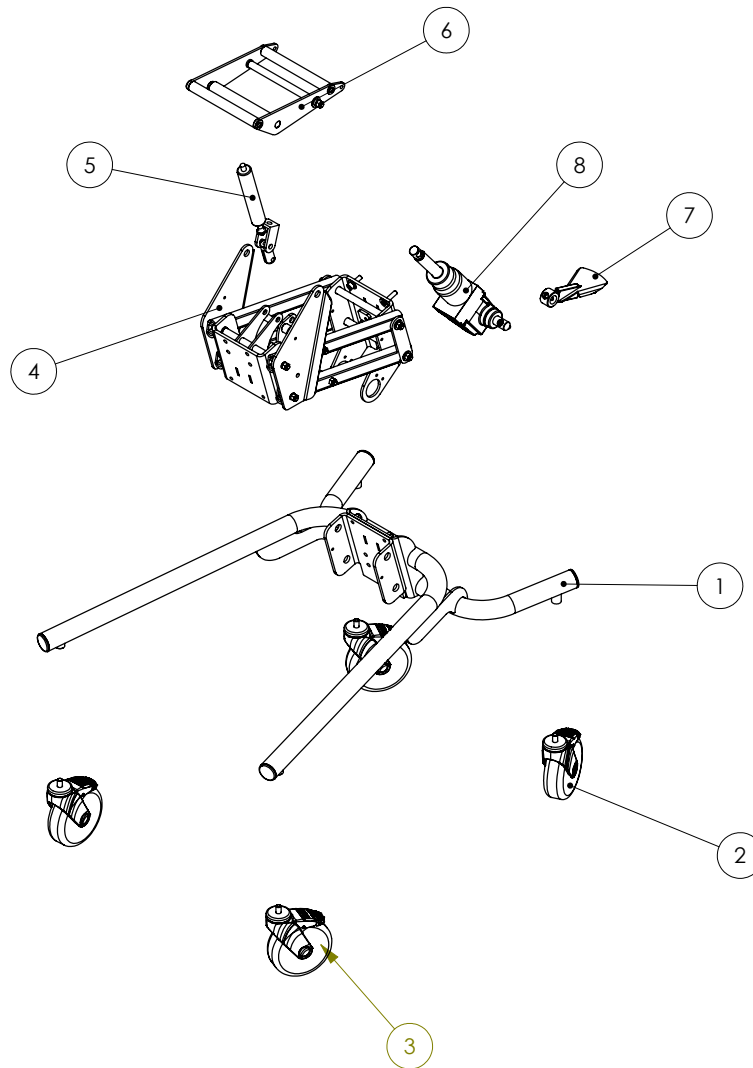
Pos.	Leckey Code	Description	Qty
1	161-970-XX	Backrest Upholstery Kit	1
2	161-971	Sacral Upholstery Kit	1
3	161-1046-XX	Seat base Upholstery Kit (Memory Foam Cushion)	1
4	161-989	Femoral Cover Set (4 of)	1

Handle Bar Assembly



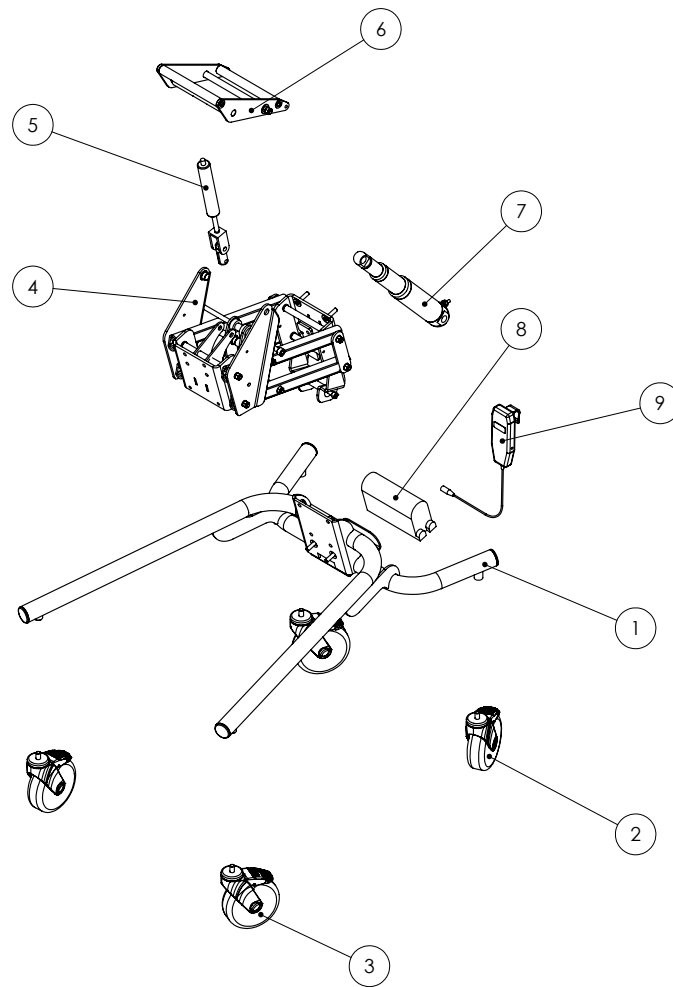
Pos.	Leckey Code	Description	Qty
1	161-1050	Handle Bar	1
2	161-1051	Handle Bar Hook Assembly (Single)	1
3	161-1052	Handle Bar Tube Inserts (Pair)	1

Hydraulic Chassis



Pos.	Leckey Code	Description	Qty
1	151-3838	Chassis Assembly	1
2	IA31	5" Castor	2
3	IA62	5" Caster-Directional Lock	2
4	151-3839	Hi-Lo Assembly	1
5	133-2100	Tilt Gas Shock	1
6	161-1047	Interface	1
7	133-2102	Pedal	1
8	133-2098	Hydraulic Actuator	1
9	161-1011	Cable	1
10	161-1010	Release Lever	1

Power Chassis



Pos.	Leckey Code	Description	Qty
1	151-3838	Chassis Assembly	1
2	IA31	5" Castor	2
3	IA62	5" Caster-Directional Lock	2
4	151-3839	Hi-Lo Assembly	1
5	133-2100	Tilt gas shock	1
6	161-1047	Interface	1
7	161-1054	Power Actuator	1
8	161-1055	Control Box & Battery (Charger Included)	1
9	161-1056	Handset	1
10	161-1011	Cable	1
11	161-1010	Release Lever	1

