

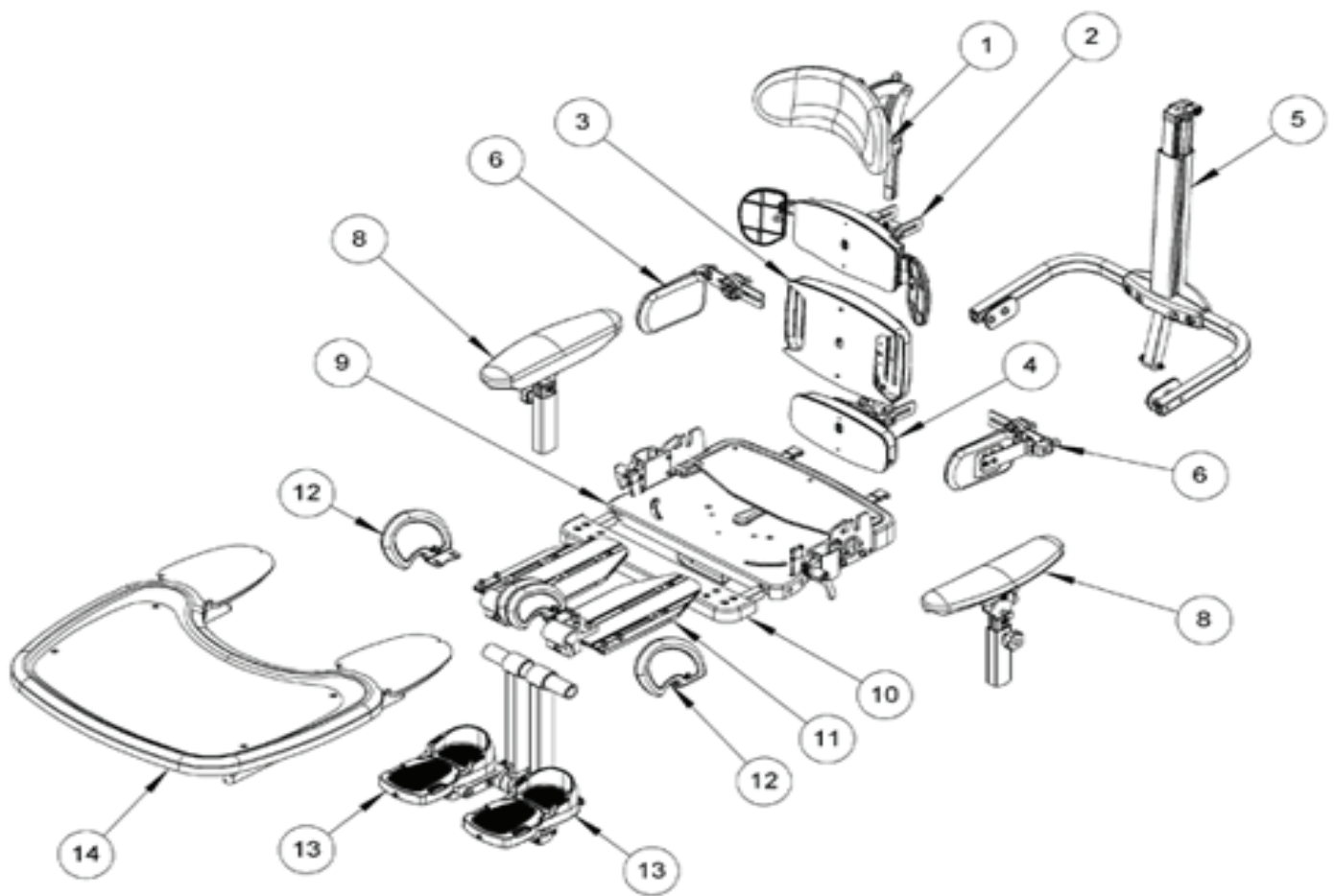
KIT Spare Parts Catalogue



Contents

03 - 04	KIT Seat Assembly
05	Head Support Assembly
06	Lateral Head Support Assembly
07	Shoulder Support Assembly
08	Thoracic Support Assembly
09	Sacral Support Assembly
10	Backspine Assembly
11	Flipaway Lateral Assembly
12	Basic Lateral Assembly
13	Complex Lateral Vertical Assembly
14	Complex Lateral Horizontal Assembly
15	Hip Pad Lateral Assembly
16	Armrest Assembly
17	Seatbase Assembly
18	Seatbase Extension Assembly
19	Femoral Plate Assembly
20	Femoral Gables Assembly
21	Foot Support Assembly
22	Tray Assembly
23	Hi-low Chassis Full Assembly
24	Hi-low Assembly

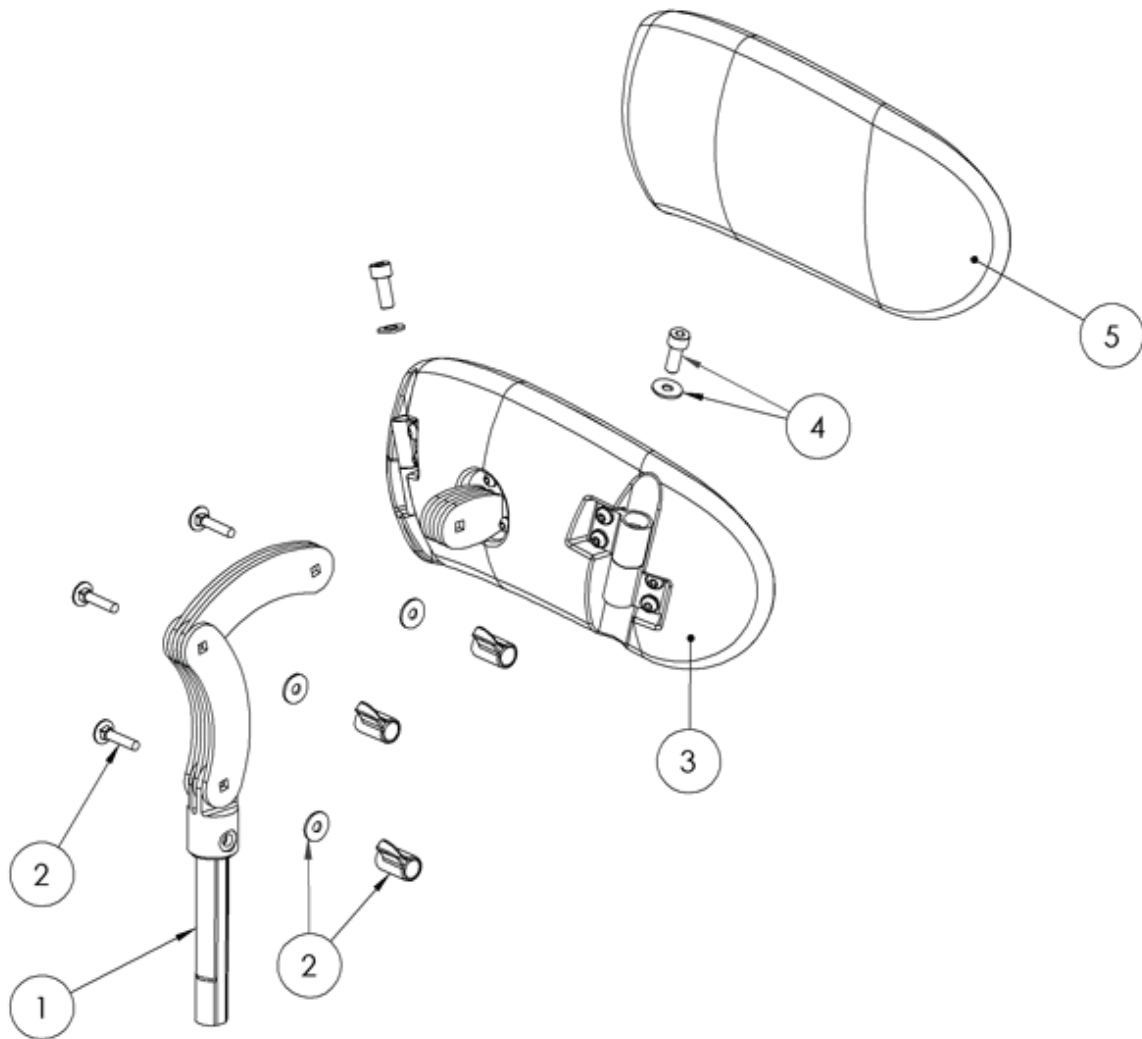
KIT Chair Assembly



KIT Chair Assembly

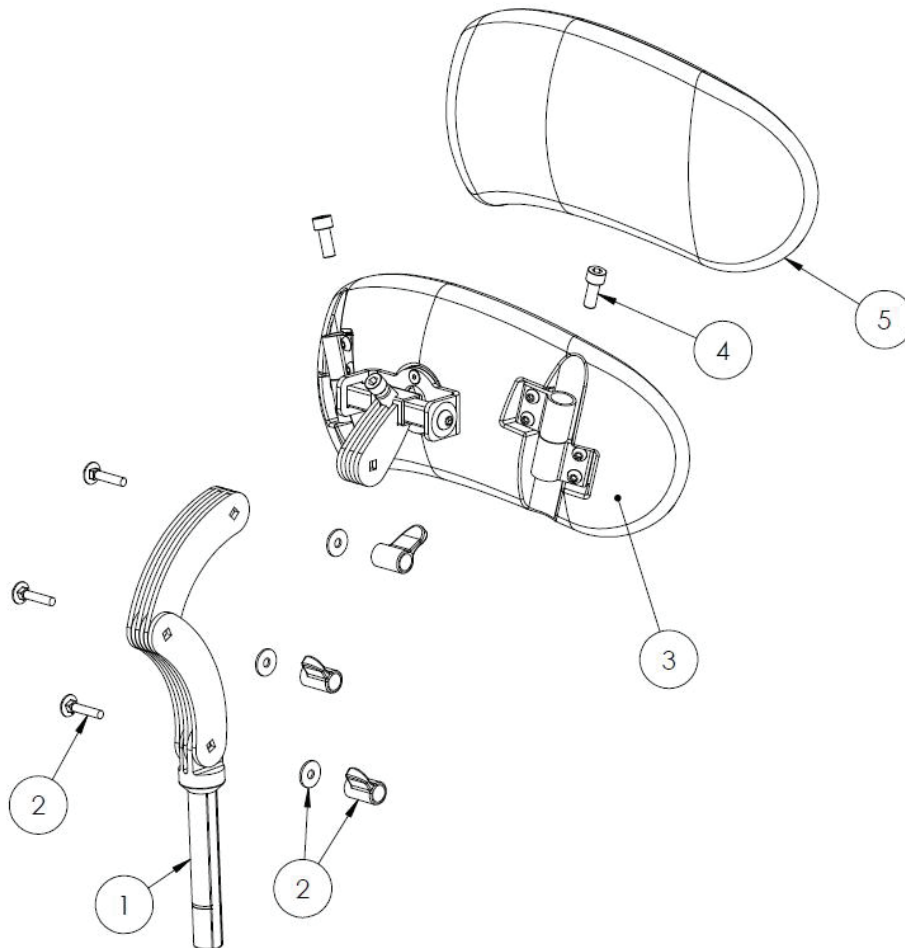
Pos.	Leckey Code	Description	Qty	Compatible with	
				Size 1	Size 2
1	133-627	Profiling Contoured Headrest	1	✓	✓
1	133-626	PU Countoured Headrest	1	✓	✓
2	133-611	Shoulder Support Assembly Size 1	1	✓	
2	139-611	Shoulder Support Assembly Size 2	1		✓
3	133-605	Thoracic Support Assembly	1	✓	✓
4	133-612	Sacral Support Assembly	1	✓	✓
4	133-604	Contoured Sacral Support	1	✓	✓
5	133-615	Back Spine	1	✓	✓
5	139-615	Back Spine	1	✓	✓
6	133-609	Flip away Laterals (single)	1	✓	✓
6	133-622	Flip Away Complex Laterals Horizontal (single)	1	✓	✓
6	133-614	Flip Away Complex Laterals Vertical (single)	1	✓	✓
6	133-619	Angle Adjustable Laterals (pair)	1	✓	✓
7	133-608	Hip Lateral Pads (pair)	1	✓	✓
8	133-735	Armrests (pair)	1	✓	✓
8	133-632	Armrest (single)	1	✓	✓
9	133-623-FIX	Seatbase Fixed	1	✓	✓
9	133-623-REM	Seatbase Removable	1	✓	✓
10	133-2058	Seatbase Extension	1		✓
11	133-2062	Femoral Plate LH S1	1	✓	
11	133-2063	Femoral Plate RH S1	1	✓	
11	133-2064	Femoral Plate LH S2	1		✓
11	133-2065	Femoral Plate RH S2	1		✓
12	133-687	Femoral Gable RH Small	1	✓	✓
12	133-686	Femoral Gable RH Large	1	✓	✓
12	133-683	Femoral Gable LH Small	1	✓	✓
12	133-682	Femoral Gable LH Large	1	✓	✓
13	133-606	Foot Supports Complex	1	✓	✓
13	133-607	Foot Supports Basic	1	✓	✓
14	133-635	Tray Clear	1	✓	✓
14	133-624	Tray Black	1	✓	✓

Head Support Assembly



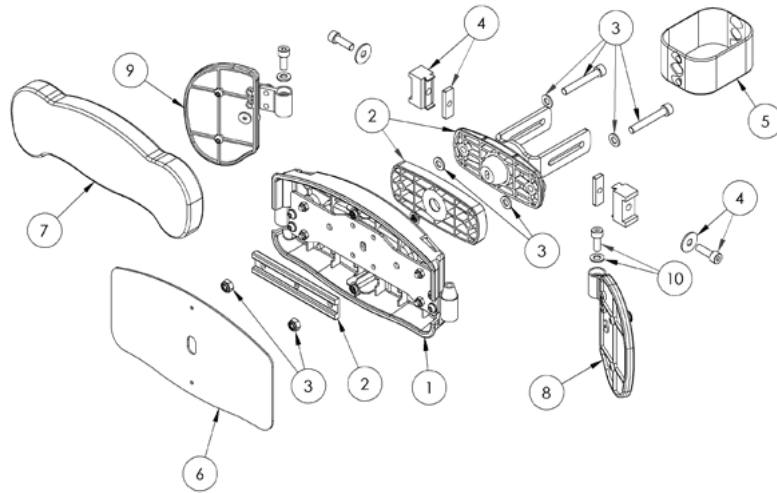
Pos.	Leckey Code	Description	Qty	Compatible with	
				Size 1	Size 2
1	133-2001	Headrest Stem	1	✓	✓
2	133-2002	Headrest Stem Bolt Kit	3	✓	✓
3	133-2003	Headrest Moulding	1	✓	✓
4	133-2014	Taperlock Bolt Kit	2	✓	✓
5	133-716	Headrest Cover	1	✓	✓

Lateral Head Support Assembly



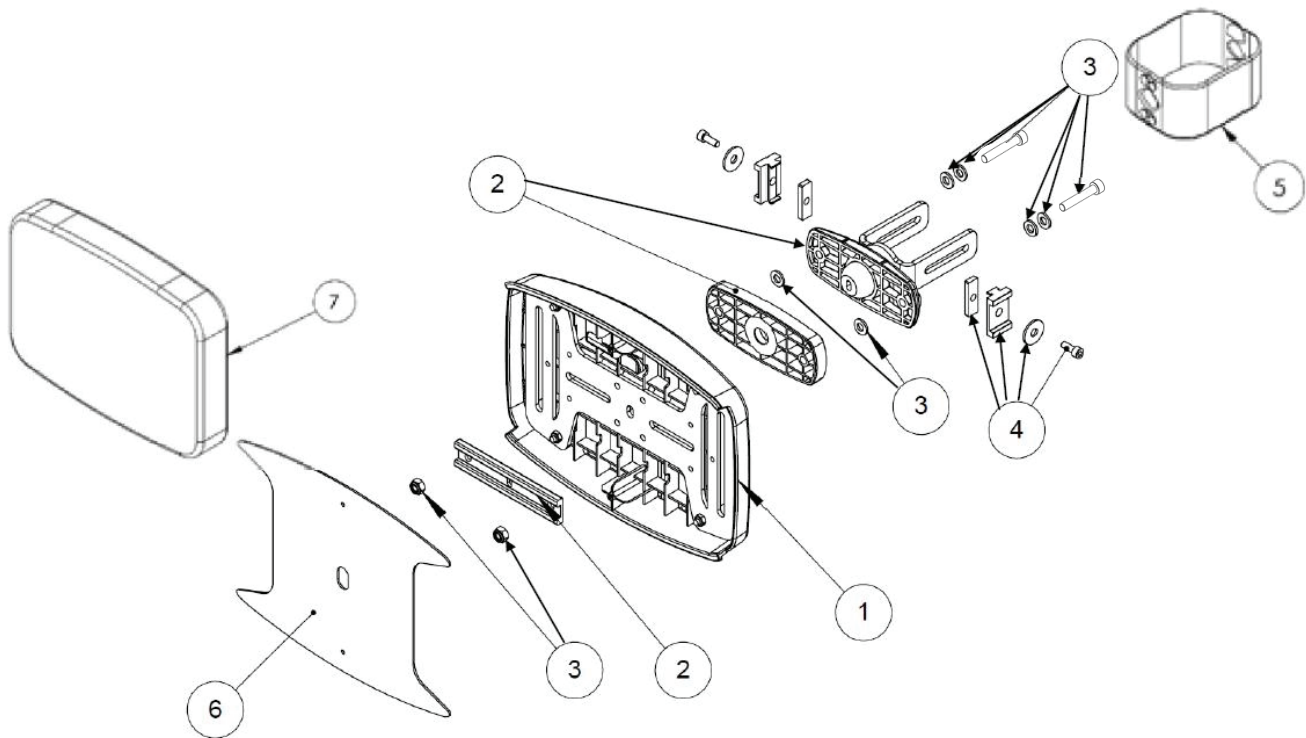
Pos.	Leckey Code	Description	Qty	Compatible with	
				Size 1	Size 2
1	133-2001	Headrest Stem	1	✓	✓
2	133-2002	Headrest Stem Bolt Kit	3	✓	✓
3	133-2145	Headrest Assembly	1	✓	✓
4	133-2014	Taperlock Bolt Kit	2	✓	✓
5	133-716	Headrest Support Cover	1	✓	✓

Shoulder Support Assembly



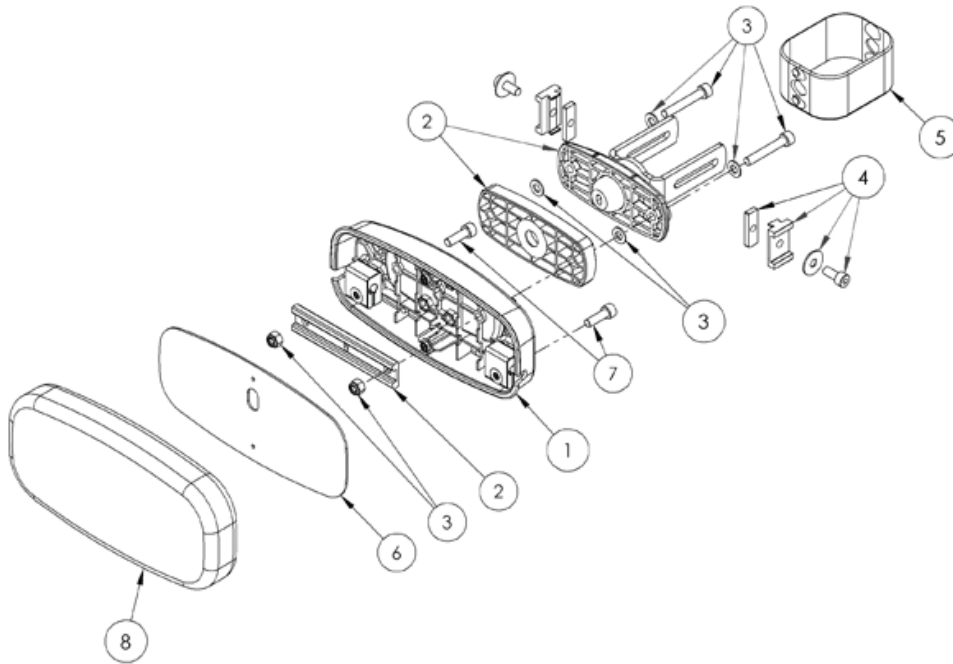
Pos.	Leckey Code	Description	Qty	Compatible with	
				Size 1	Size 2
1	133-2005	Shoulder Moulding Assy S1	1	✓	
1	133-2006	Shoulder Moulding Assy S2	1		✓
2	133-2007	Shoulder/Sacral Adjustment Assy	1	✓	✓
3	133-2008	Shoulder Adjustment Bolt Kit	1	✓	✓
4	133-2016	Shoulder Spine Slider Assy	2	✓	✓
5	133-3030	Spine shroud Pack (3 Covers)	1	✓	✓
6	133-2013	Shoulder Cover	1	✓	✓
7	133-400-10	Shoulder Foam & Cover Blue	1	✓	✓
7	133-400-11	Shoulder Foam & Cover Grey	1	✓	✓
7	133-400-12	Shoulder Foam & Cover Purple	1	✓	✓
7	133-400-13	Shoulder Foam & Cover Infection Control	1	✓	✓
7	139-400-10	Shoulder Foam & Cover Blue	1	✓	✓
7	139-400-11	Shoulder Foam & Cover Grey	1	✓	✓
7	139-400-12	Shoulder Foam & Cover Purple	1	✓	✓
7	139-400-13	Shoulder Foam & Cover Infection Control	1	✓	✓
8	133-2009	Shoulder Wing LH S1	1	✓	
8	133-2010	Shoulder Wing LH S2	1		✓
9	133-2011	Shoulder Wing RH S1	1	✓	
9	133-2012	Shoulder Wing RH S2	1		✓
10	133-2014	Taperlock Bolt Kit	2	✓	✓

Thoracic Support Assembly



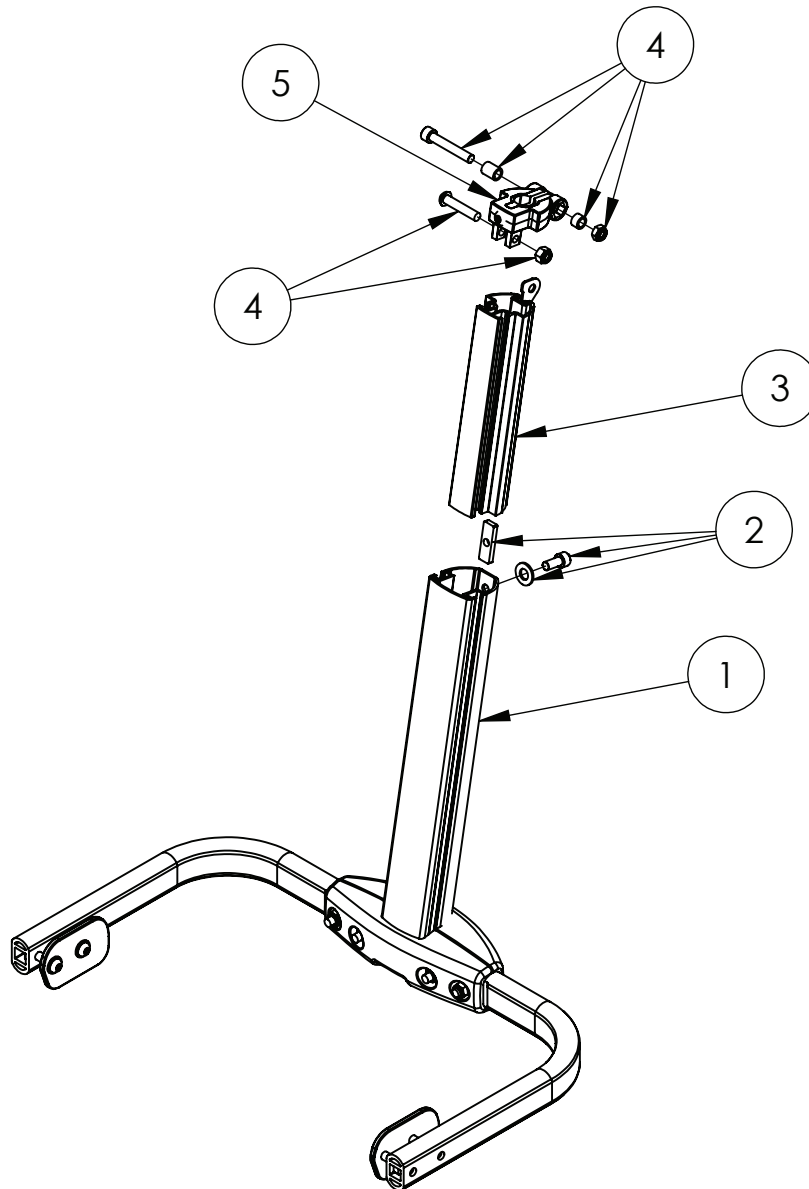
Pos.	Leckey Code	Description	Qty	Compatible with	
				Size 1	Size 2
1	133-2021	Thoracic Moulding Assy	1	✓	✓
2	133-2020	Thoracic Adjustment Assy	1	✓	✓
3	133-2018	Thoracic Adjustmant Bolt Kit	1	✓	✓
4	133-2019	Thoracic/Sacral Spine Slider Assy	2	✓	✓
5	133-3030	Spine Shroud Pack (3 Covers)	1	✓	✓
6	133-023	Thoracic Cover	1	✓	✓
7	133-401-10	Thoracic Foam and Cover Blue	1	✓	✓
7	133-401-11	Thoracic Foam and Cover Grey	1	✓	✓
7	133-401-12	Thoracic Foam and Cover Purple	1	✓	✓
7	133-401-13	Thoracic Foam and Cover Infection Control	1	✓	✓

Sacral Support Assembly



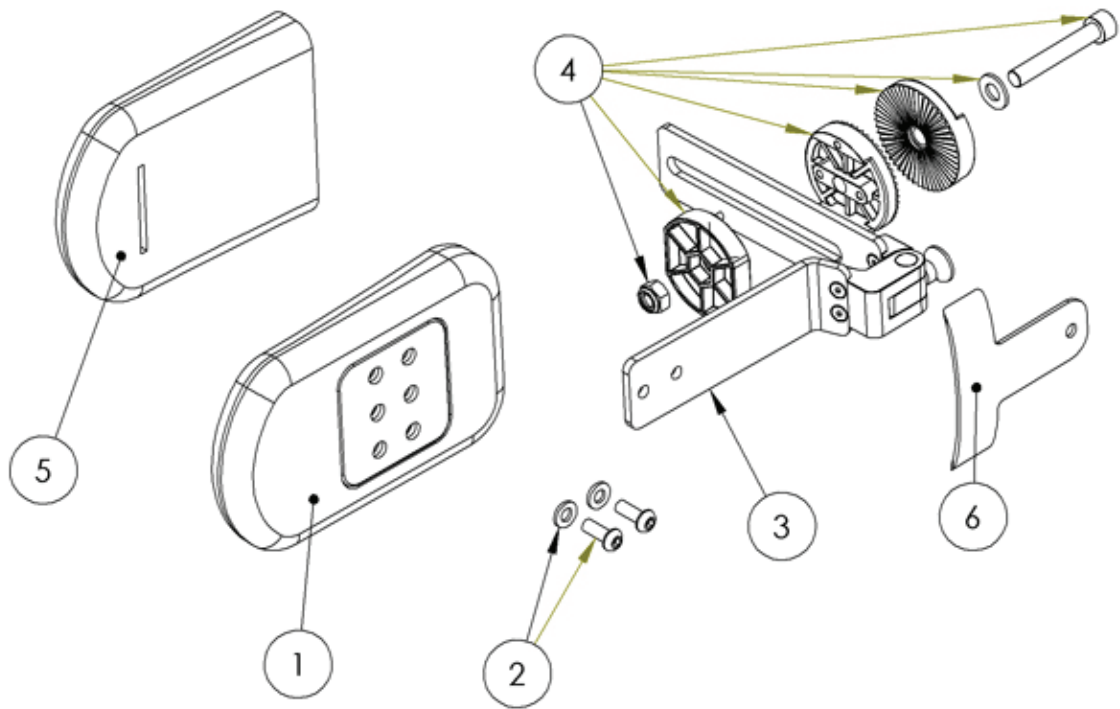
Pos.	Leckey Code	Description	Qty	Compatible with	
				Size 1	Size 2
1	133-2025	Sacral Moulding Assy	1	✓	✓
2	133-2007	Shoulder/Sacral Adjustment Assy	1	✓	✓
3	133-2023	Sacral Adjustment Bolt Kit	1	✓	✓
4	133-2019	Thoracic/Sacral Spine Slider Assy	2	✓	✓
5	133-3030	Spine Shroud Pack 3 covers	1	✓	✓
6	133-024	Sacral Cover	1	✓	✓
7	133-2024	Hip Pad Clamp Bolt Kit	2	✓	✓
8	133-403-10	Sacral Foam and Cover Blue	1	✓	✓
8	133-403-11	Sacral Foam and Cover Grey	1	✓	✓
8	133-403-12	Sacral Foam and Cover Purple	1	✓	✓
8	133-403-13	Sacral Foam and Cover Infection Control	1	✓	✓

Back Spine Assembly



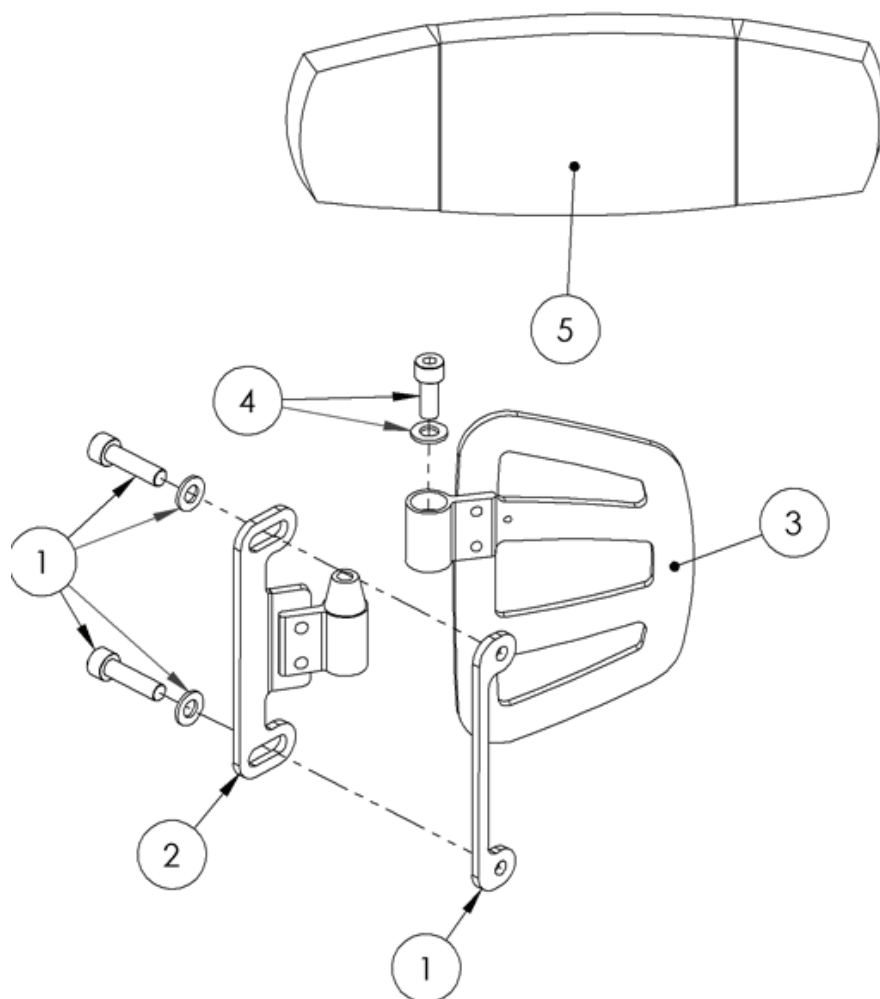
Pos.	Leckey Code	Description	Qty	Compatible with	
				Size 1	Size 2
1	133-2022	Backspine Assy	1	✓	✓
2	133-2017	Spine Clamp Adjustment Kit	1	✓	✓
3	133-2026	Spine Upper S1	1	✓	
3	133-2027	Spine Upper S2	1		✓
4	133-2028	Head Support Clamp Bolt Kit	1	✓	✓
5	133-699	Head Support Clamp	1	✓	✓

Flipaway Lateral Assembly



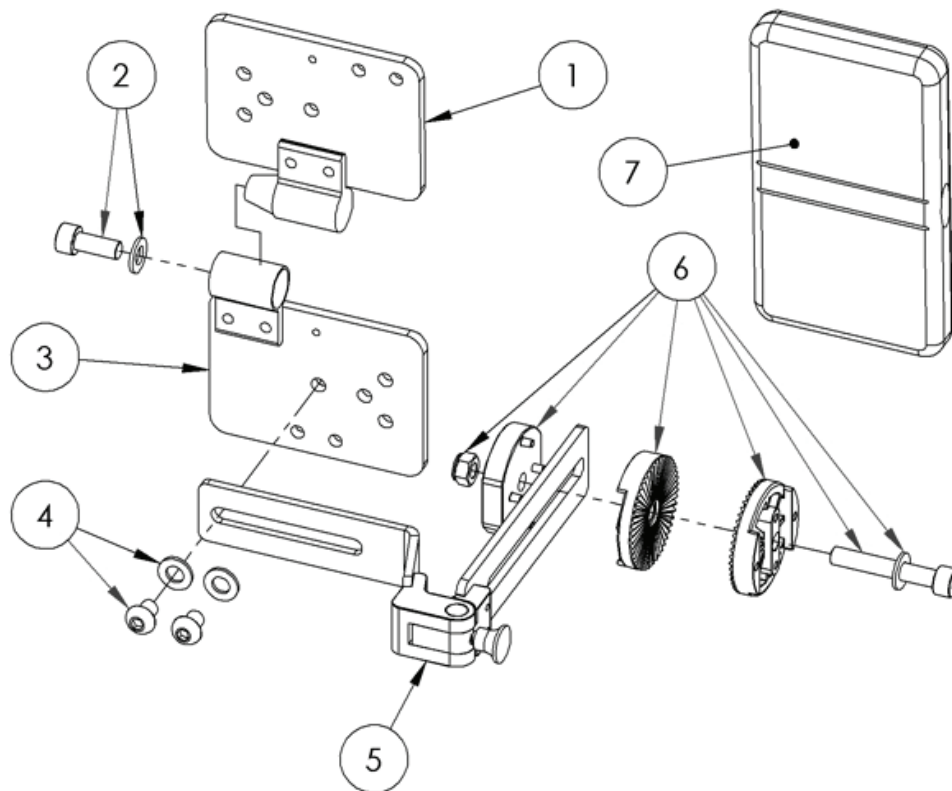
Pos.	Leckey Code	Description	Qty	Compatible with	
				Size 1	Size 2
1	133-2029	Hip Pad Assy	1	✓	✓
2	133-2030	Flipaway Lateral Bolt Kit (x2)	2	✓	✓
3	133-2031	Flip Away Lateral Bracket	1	✓	✓
4	133-2032	Lateral Clamp Assy	1	✓	✓
5	133-747	Lateral Cover	1	✓	✓
6	133-726	Lateral & Bracket Protection Covers (x2)	2	✓	✓

Basic Lateral Assembly



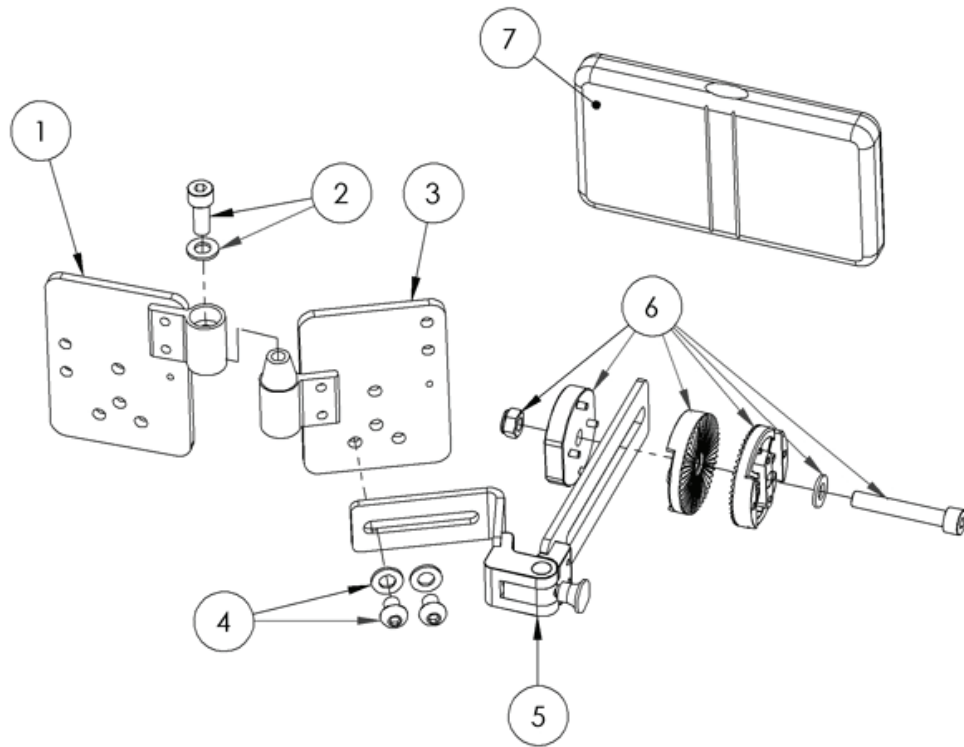
Pos.	Leckey Code	Description	Qty	Compatible with	
				Size 1	Size 2
1	133-2081	Basic Lateral Clamp Kit	1	✓	✓
2	133-2033	Basic Lateral Inner Assy LH	1	✓	✓
2	133-2034	Basic Lateral Inner Assy RH	1	✓	✓
3	133-2035	Basic Lateral Outer Assy LH	1	✓	✓
3	133-2036	Basic Lateral Outer Assy RH	1	✓	✓
4	133-2014	Taperlock Bolt Kit	2	✓	✓
5	133-402-10	Thoracic Angle Adjustment Laterals Cushison and Cover Blue	1	✓	✓
5	133-402-11	Thoracic Angle Adjustment Laterals Cushison and Cover Grey	1	✓	✓
5	133-402-12	Thoracic Angle Adjustment Laterals Cushison and Cover Purple	1	✓	✓
5	133-402-13	Thoracic Angle Adjustment Laterals Cushison and Cover Infection Control	1	✓	✓

Complex Lateral Vertical Assembly



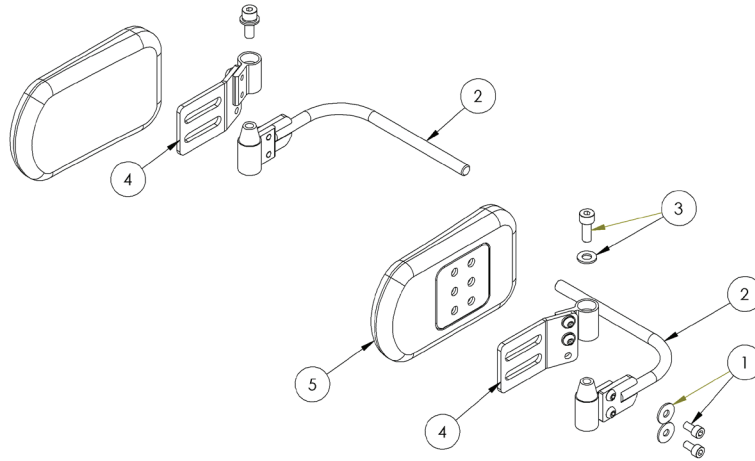
Pos.	Leckey Code	Description	Qty	Compatible with	
				Size 1	Size 2
1	133-2037	Complex Lateral Plate Female	1	✓	✓
2	133-2014	Taperlock Bolt Kit	2	✓	✓
3	133-2038	Complex Lateral Plate Male	1	✓	✓
4	133-2039	Complex Lateral Bolt Kit	2	✓	✓
5	133-2042	Complex Lateral Vertical Flipaway Bracket	1	✓	✓
6	133-2032	Lateral Clamp Assy	1	✓	✓
7	133-748	Complex Lateral Cover	1	✓	✓

Complex Horizontal Assembly



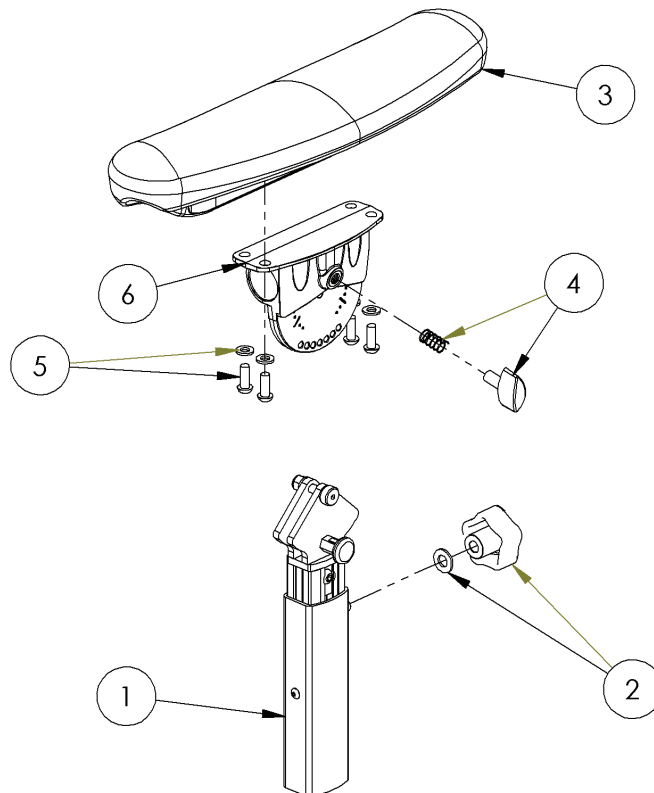
Pos.	Leckey Code	Description	Qty	Compatible with	
				Size 1	Size 2
1	133-2038	Complex Lateral Plate Male	1	✓	✓
2	133-2014	Taperlock Bolt Kit	2	✓	✓
3	133-2037	Complex Lateral Plate Female	1	✓	✓
4	133-2039	Complex Lateral Bolt Kit	2	✓	✓
5	133-2040	Complex Lateral Horizontal Flipaway Bracket	1	✓	✓
6	133-2032	Lateral Clamp Assy	1	✓	✓
7	133-748	Complex Lateral Cover	1	✓	✓

Hip Pad Lateral Assembly



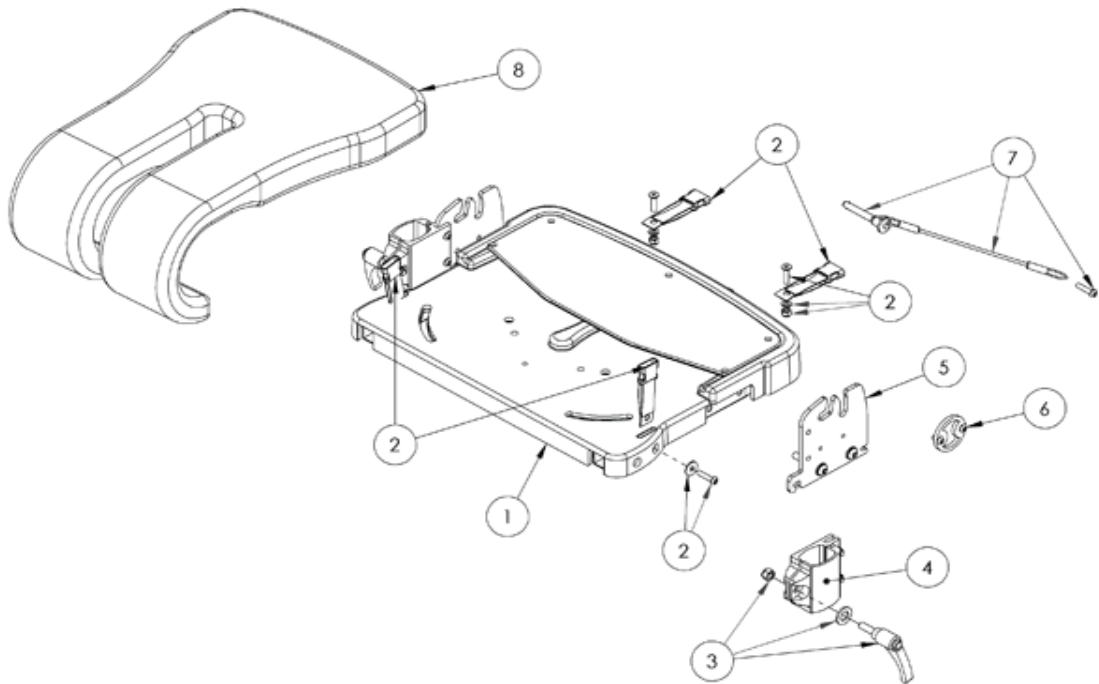
Pos.	Leckey Code	Description	Qty	Compatible with	
				Size 1	Size 2
1	133-2043	Hip Pad Blot Kit	2	✓	✓
2	133-2044	Hip Pad Bar LH	1	✓	✓
2	133-2045	Hip Pad Bar RH	1	✓	✓
3	133-2014	Taperlock Bolt Kit	2	✓	✓
4	133-2046	Hip Pad Angle Bracket LH	1	✓	✓
4	133-2047	Hip Pad Angle Bracket RH	1	✓	✓
5	133-2029	Hip Pad Assy	1	✓	✓
6	133-747	Lateral Cover	1	✓	✓

Armrest Assembly



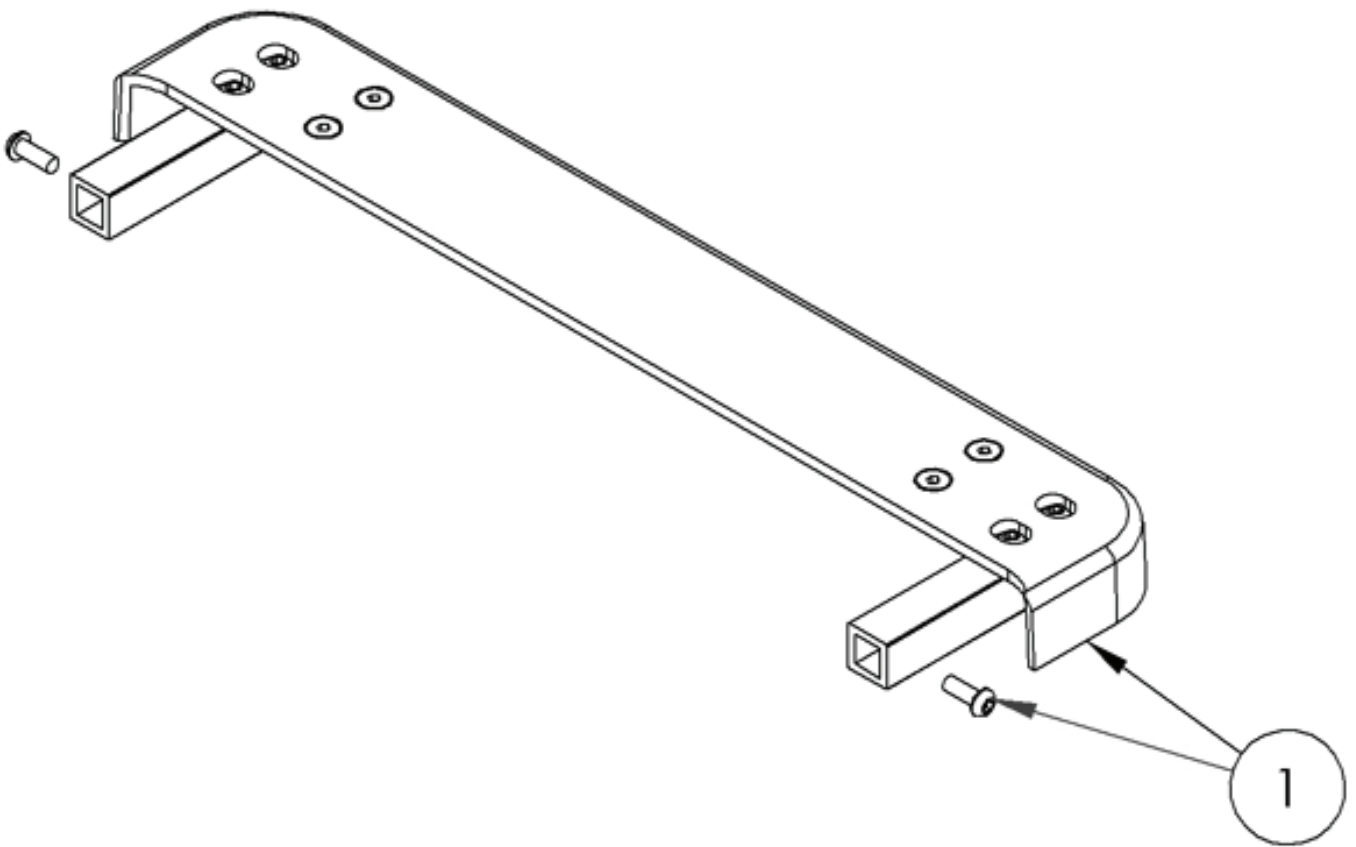
Pos.	Leckey Code	Description	Qty	Compatible with	
				Size 1	Size 2
1	133-2048	Armrest Main Assy LH	1	✓	✓
1	133-2139	Armrest Main Assy RH	1	✓	✓
2	133-2049	Height Adjustment Knob	1	✓	✓
3	133-641	Armrest Top	1	✓	✓
4	133-2050	Tray Clamp Knob	1	✓	✓
5	133-2051	Armrest Bolt Kit	4	✓	✓
6	133-630	Armrest Casting	1	✓	✓

Seatbase Assembly



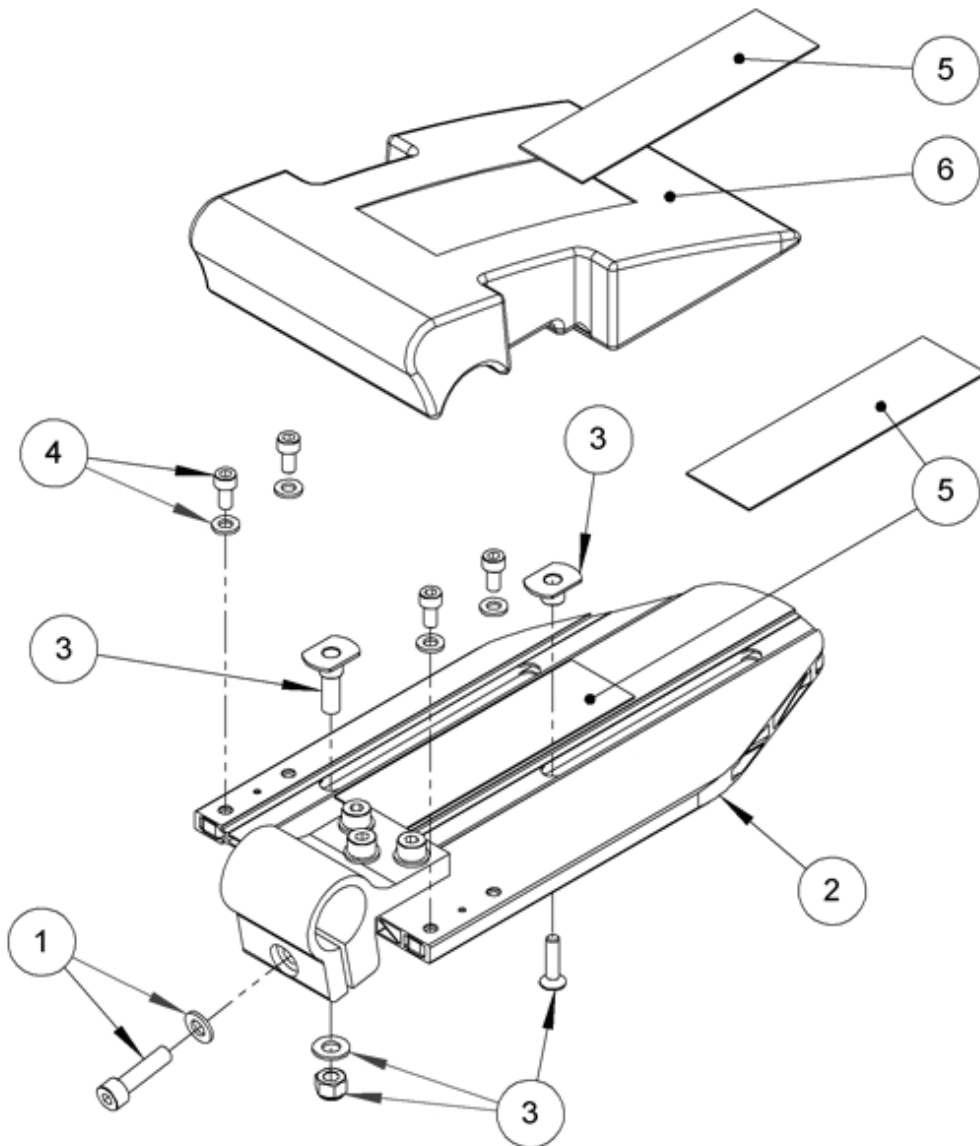
Pos.	Leckey Code	Description	Qty	Compatible with	
				Size 1	Size 2
1	133-2052	Seatbase Assy	1	✓	✓
2	133-2053	Seatbase Buckle Kit	4	✓	✓
3	133-2054	Armrest Clamp Knob Assy	1	✓	✓
4	133-2055	Armrest Clamp Assy	1	✓	✓
5	133-2056	Seatbase Side Plate Assy Fixed	1	✓	✓
5	133-2082	Seatbase Side Plate Assy Removable	1	✓	✓
6	133-2057	Combs Bracket Assy	1	✓	✓
7	133-2083	Lockpin Assy	1	✓	✓
8	133-404-10	Castellated Foam Seatbase Cushion & Cover Blue Size 1	1	✓	
8	133-404-11	Castellated Foam Seatbase Cushion & Cover Grey Size 1	1	✓	
8	133-404-12	Castellated Foam Seatbase Cushion & Cover Purple Size 1	1	✓	
8	133-404-13	Castellated Foam Seatbase Cushion & Cover Infection Control Size 1	1	✓	
8	133-405-10	Memory Foam Seatbase Cushion & Cover Blue Size 1	1	✓	
8	133-405-11	Memory Foam Seatbase Cushion & Cover Grey Size 1	1	✓	
8	133-405-12	Memory Foam Seatbase Cushion & Cover Purple Size 1	1	✓	
8	103-405-13	Memory Foam Seatbase Cushion & Cover Infection Control Size 1	1	✓	
8	139-404-10	Castellated Foam Seatbase Cushion & Cover Blue Size 2	1		✓
8	139-404-11	Castellated Foam Seatbase Cushion & Cover Grey Size 2	1		✓
8	139-404-12	Castellated Foam Seatbase Cushion & Cover Purple Size 2	1		✓
8	139-404-13	Castellated Foam Seatbase Cushion & Cover Infection Control Size 2	1		✓
8	139-405-10	Memory Foam Seatbase Cushion & Cover Blue Size 2	1		✓
8	139-405-11	Memory Foam Seatbase Cushion & Cover Grey Size 2	1		✓
8	139-405-12	Memory Foam Seatbase Cushion & Cover Purple Size 2	1		✓
8	139-405-13	Memory Foam Seatbase Cushion & Cover Infection Control Size 2	1		✓
9	133-2147	Wider Armrest Kit	2	✓	✓

Seatbase Extension Assembly



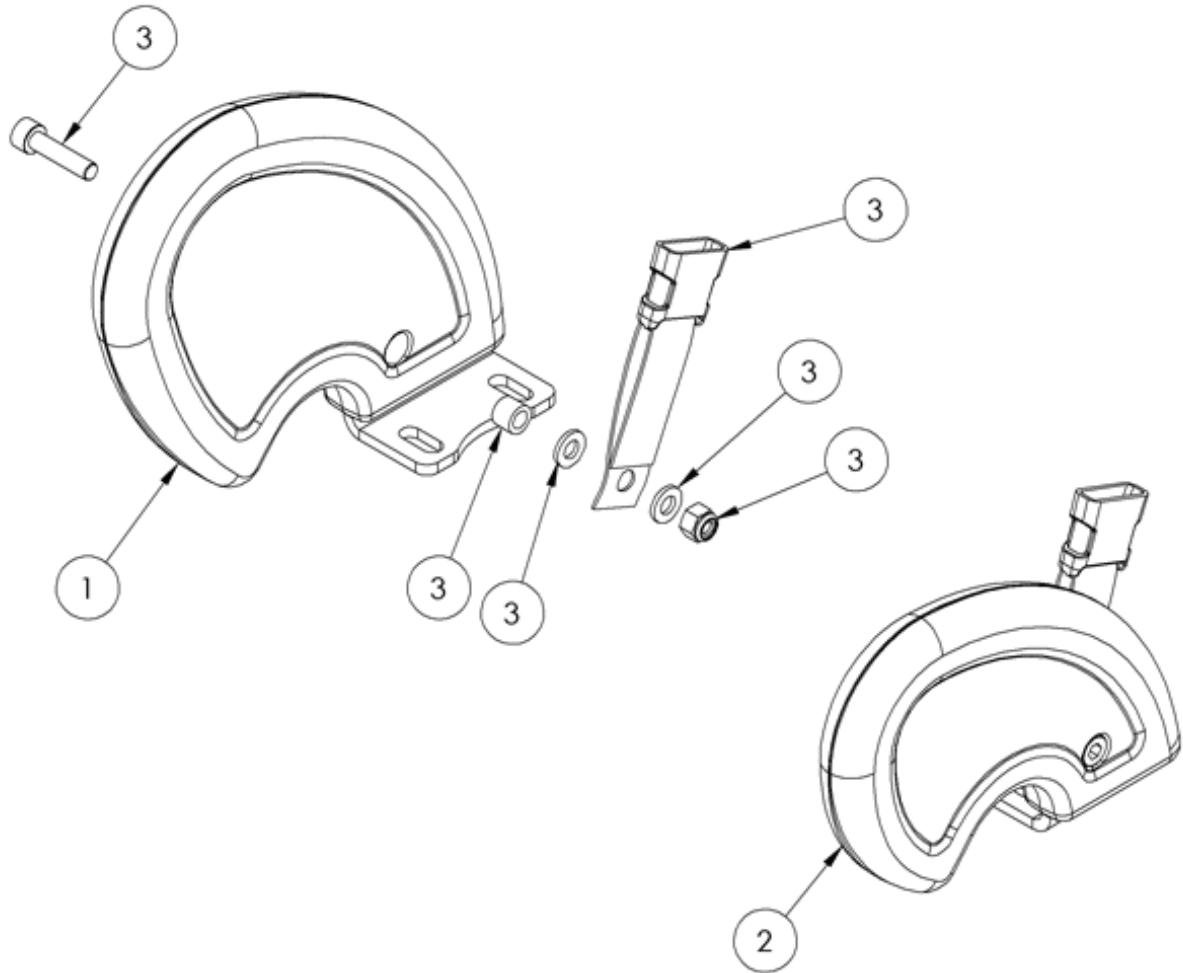
Pos.	Leckey Code	Description	Qty	Compatible with	
				Size 1	Size 2
1	133-2058	Seatbase Extension Assy	1		✓

Femoral Plate Assembly



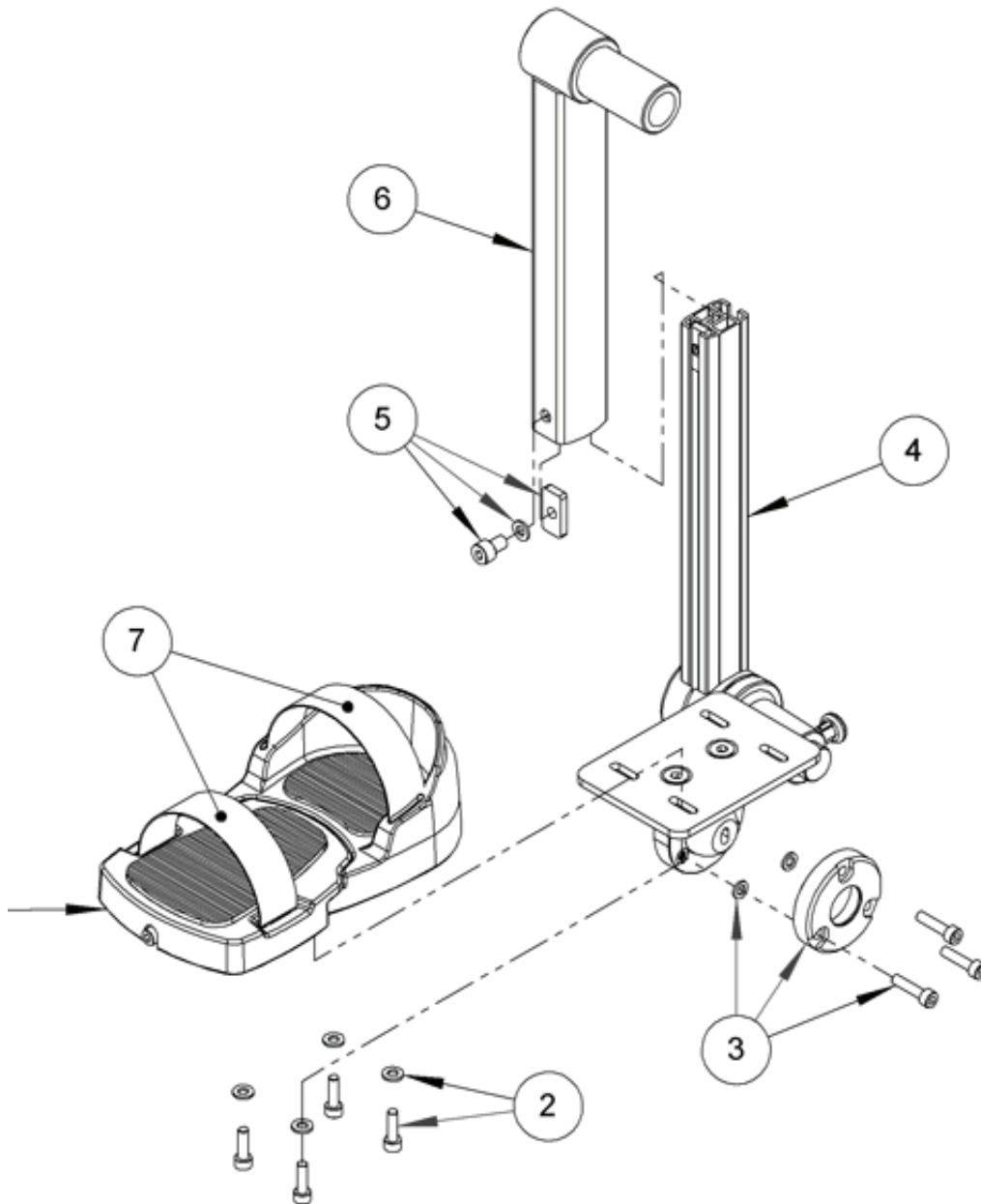
Pos.	Leckey Code	Description	Qty	Compatible with	
				Size 1	Size 2
1	133-2061	Leg Support Clamp Bolt Kit	1	✓	✓
2	133-2062	Femoral Plate LH S1	1	✓	
2	133-2063	Femoral Plate RH S1	1	✓	
2	133-2064	Femoral Plate LH S2	1		✓
2	133-2065	Femoral Plate RH S2	1		✓
3	133-2066	Femoral Adjustment Bolt Kit	1	✓	✓
4	133-2067	Femoral Gable Bolt Kit	1	✓	✓
5	133-2068	Velcro Strip Kit	1	✓	✓
6	133-2069	Femoral Ramp	1	✓	✓

Femoral Gables Assembly



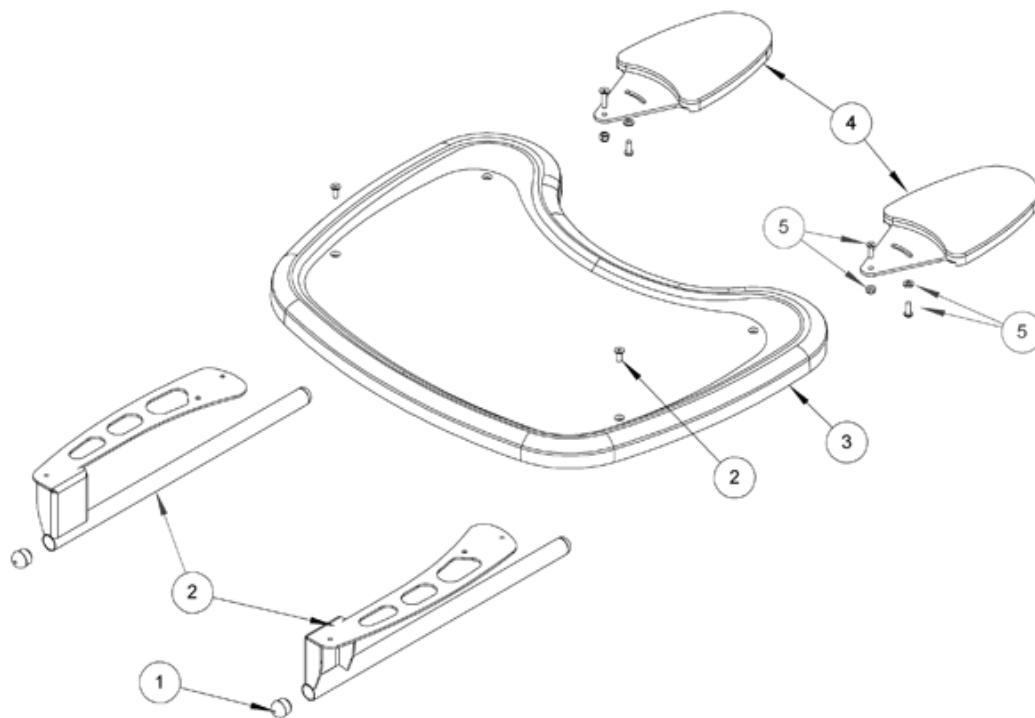
Pos.	Leckey Code	Description	Qty	Compatible with	
				Size 1	Size 2
1	133-687	Femoral Gable RH Small	1	✓	✓
1	133-686	Femoral Gable RH Large	1	✓	✓
2	133-683	Femoral Gable LH Small	1	✓	✓
2	133-682	Femoral Gable LH Large	1	✓	✓
3	133-2070	Leg Strap Kit	2	✓	✓

Foot Support Assembly



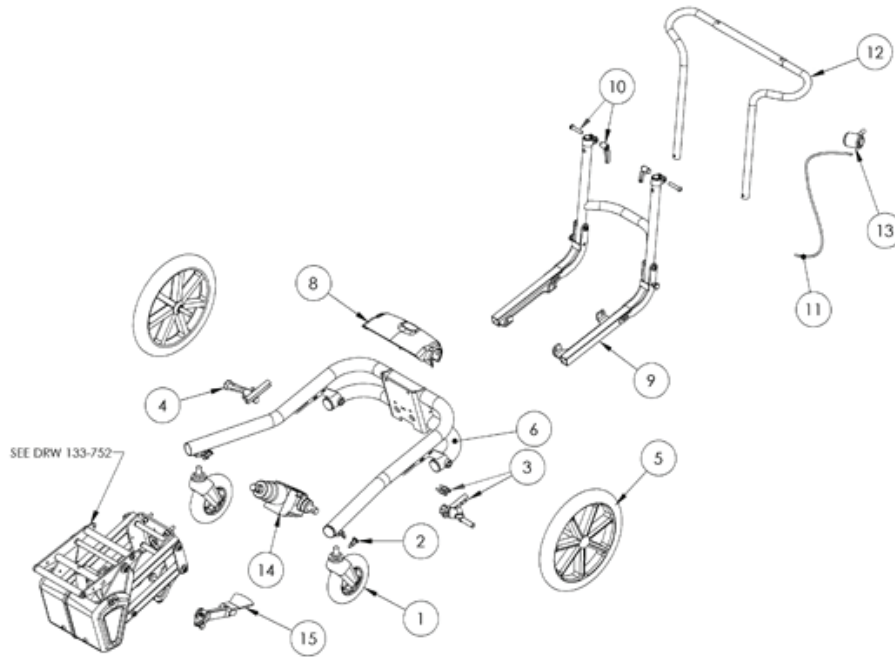
Pos.	Leckey Code	Description	Qty	Compatible with	
				Size 1	Size 2
1	133-2071	Sandal Assy	1	✓	✓
2	133-2072	Sandal Bolt Kit	1	✓	✓
3	133-2073	Footplate Adjustment Clamp Kit	1	✓	✓
4	133-2074	Inner Leg LH	1	✓	✓
4	133-2075	Inner Leg RH	1	✓	✓
5	133-2076	Leg Height Adjustment Clamp Kit	1	✓	✓
6	133-654	Outer Leg	1	✓	✓

Tray Assembly



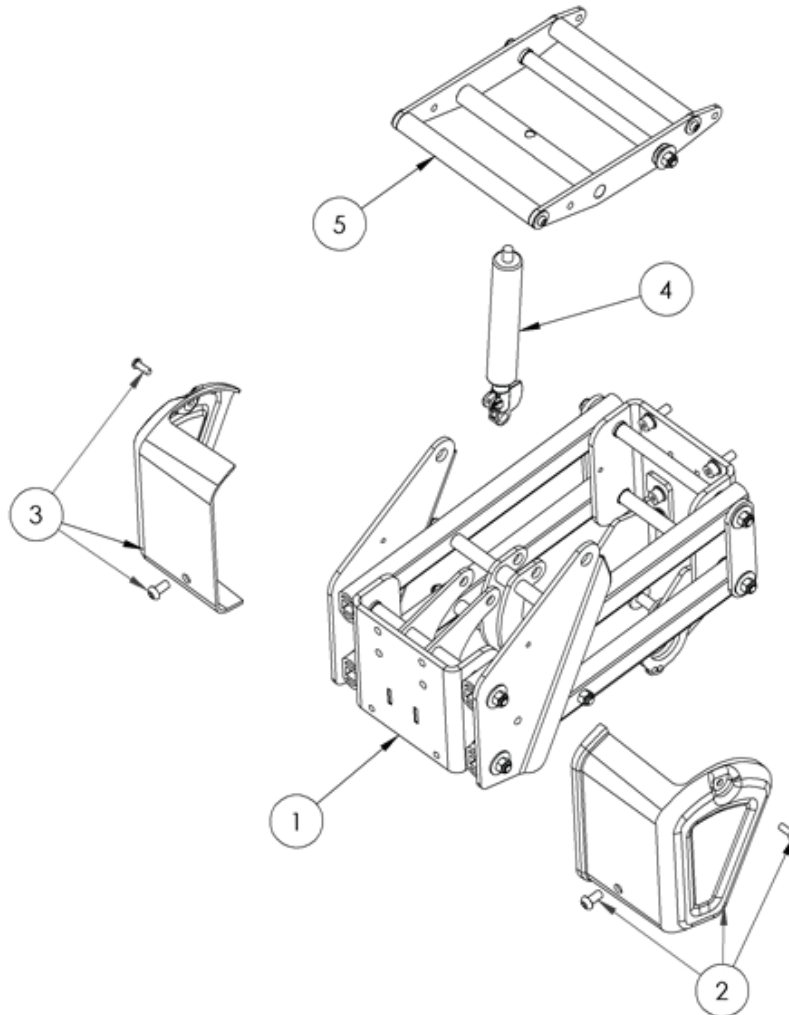
Pos.	Leckey Code	Description	Qty	Compatible with	
				Size 1	Size 2
1	133-2077	Tray Bar Plug (x4)	4	✓	✓
2	133-2078	Tray Bars (Pair including screws)	1	✓	✓
3	133-195	Tray Clear	1	✓	✓
3	133-195	Tray Black	1	✓	✓
3	133-2148	Tray Clear for extended armrests	1	✓	✓
3	133-2149	Tray Black for extended armrests	1	✓	✓
4	133-2079	Elbow Pads (x2)	2	✓	✓
5	133-2080	Elbow Pad Screw Kit (x2)	2	✓	✓

Hi-low Chassis Full Assembly



Pos.	Leckey Code	Description	Qty	Compatible with	
				Size 1	Size 2
1	133-2084	Front Castor Assy	1	✓	✓
2	IA19	Lock Pin	1	✓	✓
3	133-2085	Brake Assy LH	1	✓	✓
4	133-2086	Brake Assy RH	1	✓	✓
5	133-2087	Rear Wheel Assy	1	✓	✓
6	133-2088	Chassis Assy	1	✓	✓
7	133-2089	Battery Box	1	✓	✓
8	133-2090	Rear Cover	1	✓	✓
9	133-2091	Lower Pushbar Assy	1	✓	✓
10	133-2092	Pushbar Clamp	1	✓	✓
11	133-856	Cable	1	✓	✓
12	133-2093	Upper Pushbar	1	✓	✓
13	133-851	Lever	1	✓	✓

Hi-low Assembly



Pos.	Leckey Code	Description	Qty	Compatible with	
				Size 1	Size 2
1	133-2094	HiLo Assy Hyd	1	✓	✓
1	133-2095	HiLo Assy Power Actuator	1	✓	✓
2	133-2096	Front Cover LH	1	✓	✓
3	133-2097	Front Cover RH	1	✓	✓
4	133-2098	Hydraulic Actuator	1	✓	✓
5	133-2099	Power Actuator	1	✓	✓
6	133-2100	Tilt Gas Shock	1	✓	✓
7	133-2102	Pedal	1	✓	✓
8	133-2101	Interface	1	✓	✓

