

BeMe Seat

Spare Parts Catalogue



Supporting
Children



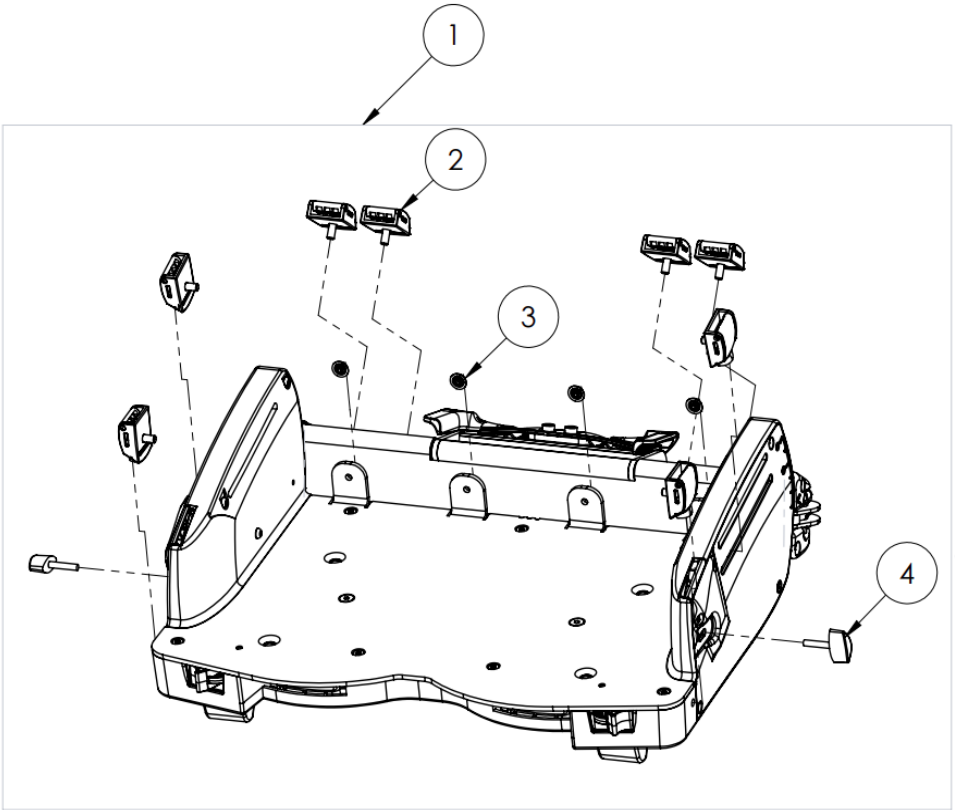
BeMe Seat

Contents

3	Seat Core
4	Basic and Split Seat
6	Contoured Seat
8	Pommel and Femoral
9	Backrest Frame
10	Basic Backrest
11	Moderate & Advanced Backrest
13	Dynamics
14	Multi Height and Tilt bases
21	Power Wheelchair Interfaces
22	Manual Wheelchair Interfaces
23	Footplates

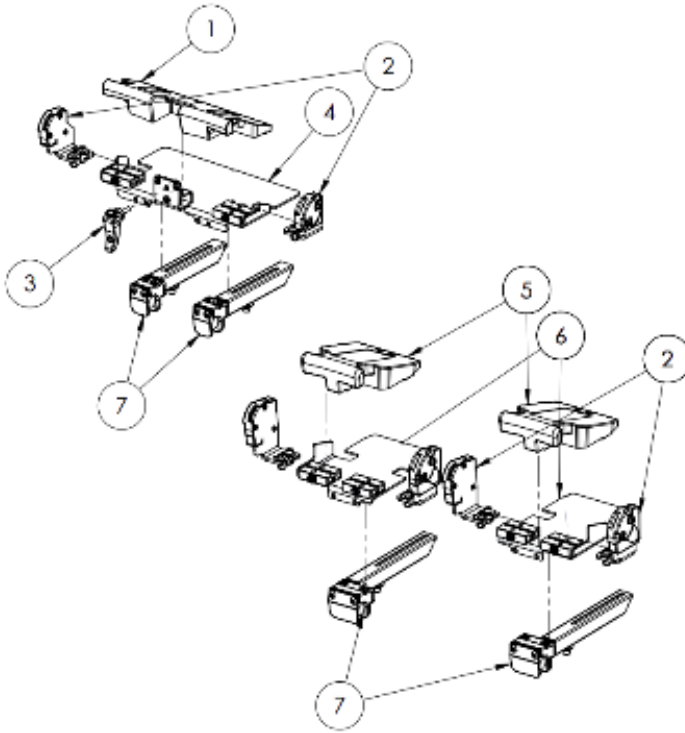
24	Headrest
25	Hip Guides
26	Lateral Brackets
27	Slim Lateral Pad
28	Hinged Lateral Pad
29	Armrest
30	Size 1 Tray
31	Size 2 Tray
32	Size 3/4 Tray
33	Upholstery & Covers
37	Harnesses & Belts

BeMe – Seat Core



			Size 1	Size 2	Size 3	Size 4
1	250-15601	BeMe Size 1 Seat Core	●			
1	250-25601	BeMe Size 2 Seat Core		●		
1	250-35601	BeMe Size 3 Seat Core			●	
1	250-45601	BeMe Size 4 Seat Core				●
2	250-15183	Seatbase Camlock Pack	●	●	●	●
3	250-15184	Cushion attachment hardware (poppers and screws)	●	●	●	●
4	250-15185	Armrest lock hardware (Pair)	●	●	●	●

BeMe – Basic & Split Seat

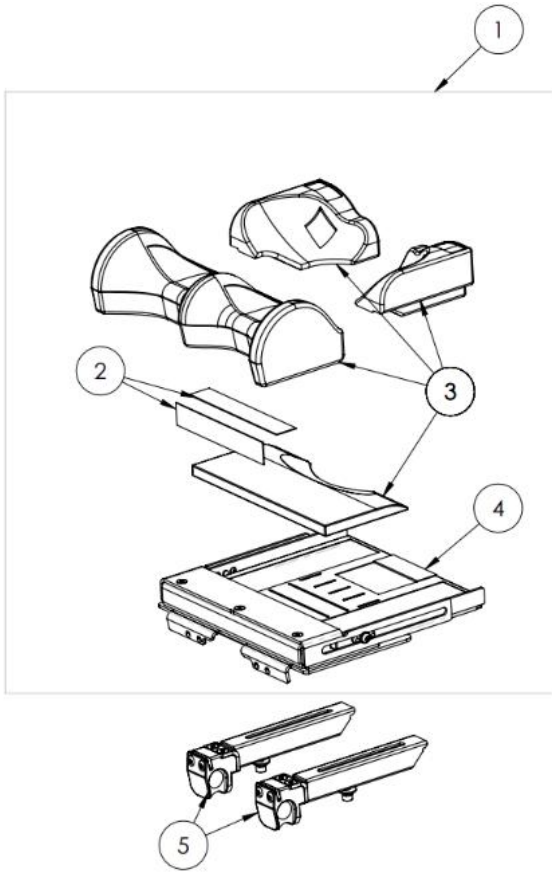


			Size 1	Size 2	Size 3	Size 4
1	250-15141	BASIC Seat FOAM RAMP (Size 1)	●			
1	250-25141	BASIC Seat FOAM RAMP (Size 2)		●		
1	250-35141	BASIC Seat FOAM RAMP (Size 3)			●	
1	250-45141	BASIC Seat FOAM RAMP (Size 4)				●
2	250-15142	GABLE RECEIVER PAIR (Size 1)	●			
2	250-25142	GABLE RECEIVER PAIR (Size 2)		●		
2	250-35142	GABLE RECEIVER PAIR (Size 3)			●	
2	250-45142	GABLE RECEIVER PAIR (Size 4)				●

BeMe – Basic & Split Seat

			Size 1	Size 2	Size 3	Size 4
1	250-15141	BASIC Seat FOAM RAMP (Size 1)	●			
1	250-25141	BASIC Seat FOAM RAMP (Size 2)		●		
1	250-35141	BASIC Seat FOAM RAMP (Size 3)			●	
1	250-45141	BASIC Seat FOAM RAMP (Size 4)				●
2	250-15142	GABLE RECEIVER PAIR (Size 1)	●			
2	250-25142	GABLE RECEIVER PAIR (Size 2)		●		
2	250-35142	GABLE RECEIVER PAIR (Size 3)			●	
2	250-45142	GABLE RECEIVER PAIR (Size 4)				●
3	150-15143	POMMEL CAMLOCK	●	●	●	●
4	250-15144	BASIC Seat PLATE (Size 1)	●			
4	250-25144	BASIC Seat PLATE (Size 2)		●		
4	250-35144	BASIC Seat PLATE (Size 3)			●	
4	250-45144	BASIC Seat PLATE (Size 4)				●
5	250-25151	SPLIT Seat FOAM RAMP PAIR (Size 2)		●		
5	250-35151	SPLIT Seat FOAM RAMP PAIR (Size 3)			●	
5	250-45151	SPLIT Seat FOAM RAMP PAIR (Size 4)				●
6	250-25154	SPLIT Seat PLATE PAIR (Size 2)		●		
6	250-35154	SPLIT Seat PLATE PAIR (Size 3)			●	
6	250-45154	SPLIT Seat PLATE PAIR (Size 4)				●
7	250-15155	FEMORAL BARS PAIR (Size 1)	●			
7	250-25155	FEMORAL BARS PAIR (Size 2)		●		
7	250-35155	FEMORAL BARS PAIR (Size 3)			●	
7	250-45155	FEMORAL BARS PAIR (Size 4)				●

BeMe – Contoured Seat

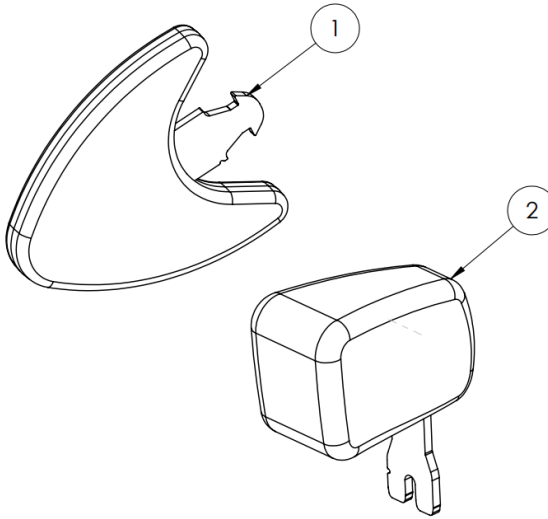


			Size 1	Size 2	Size 3	Size 4
1	250-15171	Contoured Seat Base (Size 1)	●			
1	250-25171	Contoured Seat Base (Size 2)		●		
1	250-35171	Contoured Seat Base (Size 3)			●	
1	250-45171	Contoured Seat Base (Size 4)				●
2	250-15174	Velcro Pads (pack for all sizes)	●	●	●	●

BeMe – Contoured Seat

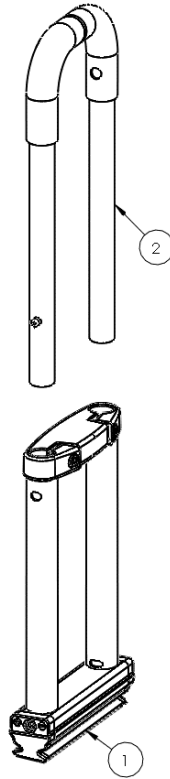
			Size 1	Size 2	Size 3	Size 4
3	250-15172	Contoured Seat PADS (Size 1)	●			
3	250-25172	Contoured Seat PADS (Size 2)		●		
3	250-35172	Contoured Seat PADS (Size 3)			●	
3	250-45172	Contoured Seat PADS (Size 4)				●
4	250-15173	Contoured Seat Plate (Size 1)	●			
4	250-25173	Contoured Seat Plate (Size 2)		●		
4	250-35173	Contoured Seat Plate (Size 3)			●	
4	250-45173	Contoured Seat Plate (Size 4)				●
5	250-15155	FEMORAL BARS PAIR (Size 1)	●			
5	250-25155	FEMORAL BARS PAIR (Size 2)		●		
5	250-35155	FEMORAL BARS PAIR (Size 3)			●	
5	250-45155	FEMORAL BARS PAIR (Size 4)				●

BeMe – Pommel & Femoral



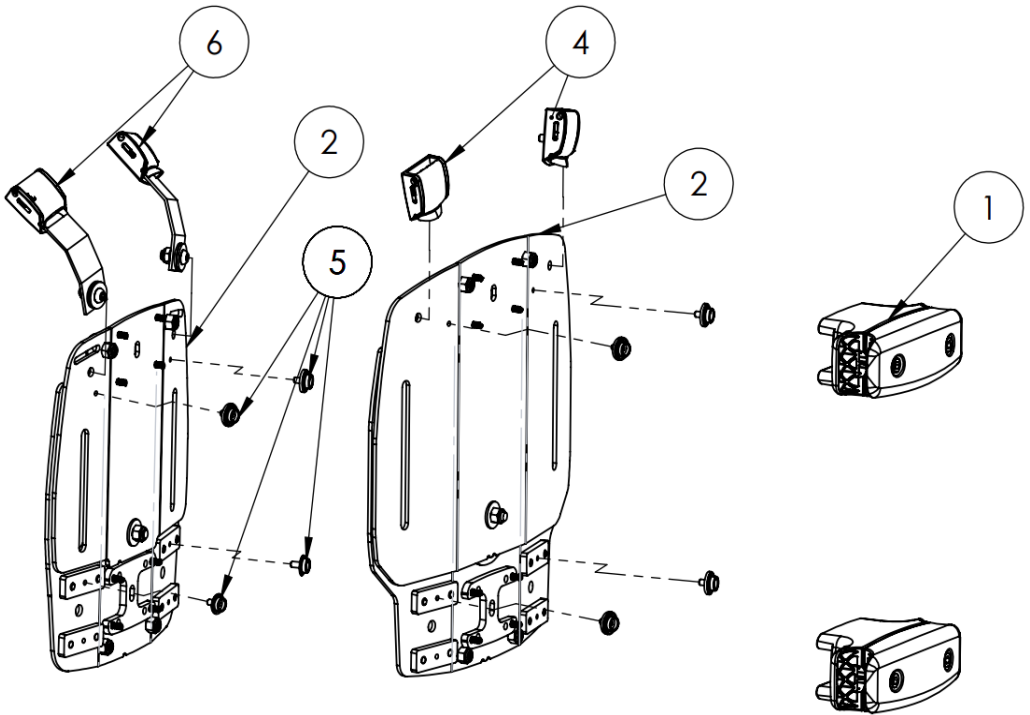
			Size 1	Size 2	Size 3	Size 4
1	150-15615	SINGLE FEMORAL GABLE (Small)	●	●	●	●
1	150-25615	SINGLE FEMORAL GABLE (Medium)	●	●	●	●
1	150-35615	SINGLE FEMORAL GABLE (Large)	●	●	●	●
1	150-45615	SINGLE FEMORAL GABLE (X-Large)	●	●	●	●
2	150-15624	POMMEL (Small)	●			
2	150-25524	POMMEL (Medium)		●		
2	150-35524	POMMEL (Large)			●	
2	150-45524	POMMEL (XLarge)				●

BeMe – Backrest Frame



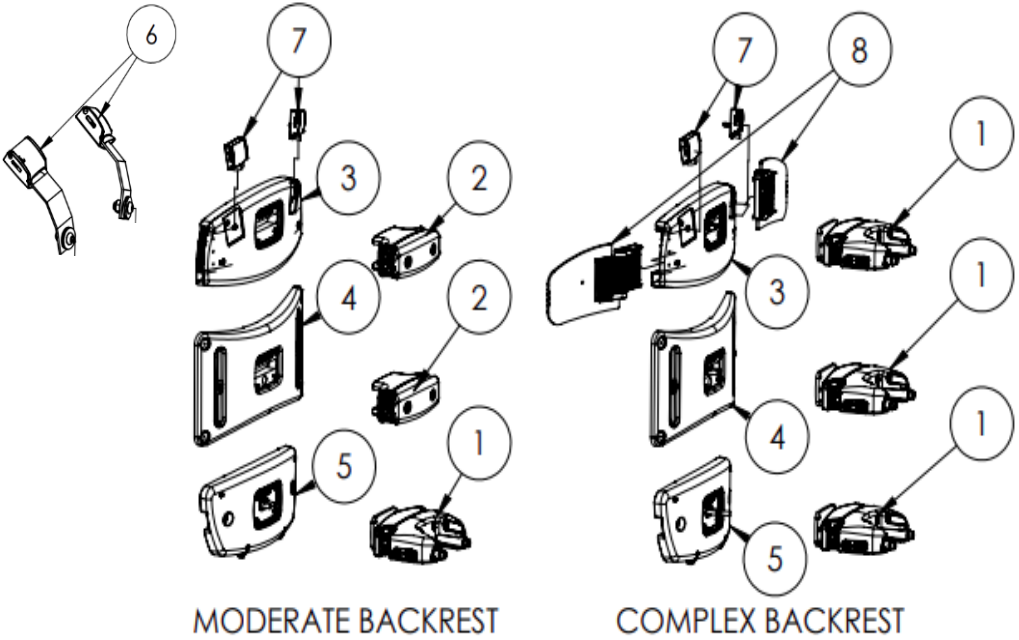
			Size 1	Size 2	Size 3	Size 4
1	250-15001	BACKREST LOWER FRAME (Size 1)	●			
1	250-25001	BACKREST LOWER FRAME (Size 2)		●		
1	250-35001	BACKREST LOWER FRAME (Size 3)			●	
1	250-45001	BACKREST LOWER FRAME (Size 4)				●
2	250-15002	BACKREST UPPER FRAME (Size 1)	●			
2	250-25002	BACKREST UPPER FRAME (Size 2)		●		
2	250-35002	BACKREST UPPER FRAME (Size 3)			●	
2	250-45002	BACKREST UPPER FRAME (Size 4)				●

BeMe – Basic Backrest



			Size 1	Size 2	Size 3	Size 4
1	150-5003	BASIC BACKREST CLAMP	●	●	●	●
2	250-15004	BASIC BACKREST (Size 1)	●			
2	250-25004	BASIC BACKREST (Size 2)		●		
2	250-35004	BASIC BACKREST (Size 3)			●	
3	250-45004	BASIC BACKREST (Size 4)				●
4	250-25006	BACKREST CAMLOCK PACK		●	●	●
5	150-5007	Poppers for cover	●	●	●	●
6	250-15006	SMALL BUCKLE	●			

BeMe – Moderate & Advanced Backrest



MODERATE BACKREST

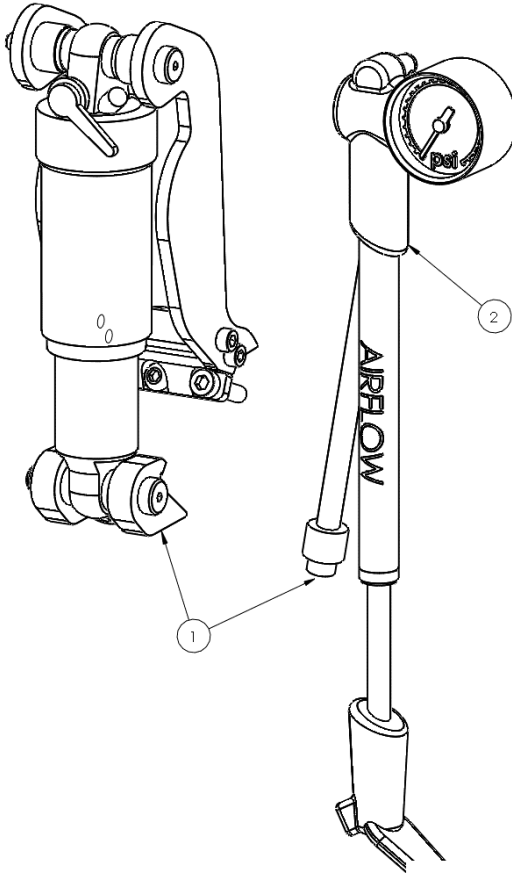
COMPLEX BACKREST

			Size 1	Size 2	Size 3	Size 4
1	150-5213	COMPLEX BACKREST CLAMP	●	●	●	●
2	150-5003	BASIC BACKREST CLAMP	●	●	●	●
3	250-15215	SACRAL SUPPORT (Size 1)	●			
3	250-25215	SACRAL SUPPORT (Size 2)		●		
3	250-35215	SACRAL SUPPORT (Size 3)			●	
3	250-45215	SACRAL SUPPORT (Size 4)				●
4	250-15216	THORACIC SUPPORT (Size 1)	●			
4	250-25216	THORACIC SUPPORT (Size 2)		●		
4	250-35216	THORACIC SUPPORT (Size 3)			●	
4	250-45216	THORACIC SUPPORT (Size 4)				●
5	250-15217	SHOULDER SUPPORT (Size 1)	●			
5	250-25217	SHOULDER SUPPORT (Size 2)		●		
5	250-35217	SHOULDER SUPPORT (Size 3)			●	
5	250-45217	SHOULDER SUPPORT (Size 4)				●

BeMe – Moderate & Advanced Backrest

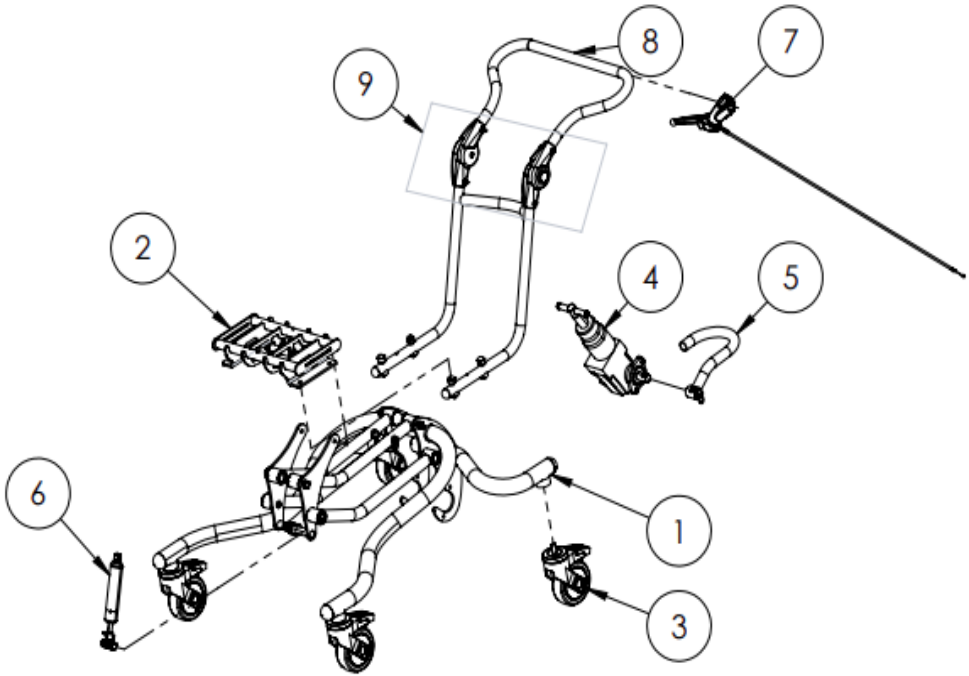
			Size 1	Size 2	Size 3	Size 4
1	150-5213	COMPLEX BACKREST CLAMP	●	●	●	●
2	150-5003	BASIC BACKREST CLAMP	●	●	●	●
3	250-15215	SACRAL SUPPORT (Size 1)	●			
3	250-25215	SACRAL SUPPORT (Size 2)		●		
3	250-35215	SACRAL SUPPORT (Size 3)			●	
3	250-45215	SACRAL SUPPORT (Size 4)				●
4	250-15216	THORACIC SUPPORT (Size 1)	●			
4	250-25216	THORACIC SUPPORT (Size 2)		●		
4	250-35216	THORACIC SUPPORT (Size 3)			●	
4	250-45216	THORACIC SUPPORT (Size 4)				●
5	250-15217	SHOULDER SUPPORT (Size 1)	●			
5	250-25217	SHOULDER SUPPORT (Size 2)		●		
5	250-35217	SHOULDER SUPPORT (Size 3)			●	
5	250-45217	SHOULDER SUPPORT (Size 4)				●
6	250-15006	SMALL BUCKLE	●			
7	250-25006	BACKREST CAMLOCK PACK		●	●	●
8	250-25633	SHOULDER WINGS (Size 2)		●		
8	250-35633	SHOULDER WINGS (Size 3)			●	
8	250-45633	SHOULDER WINGS (Size 4)				●

BeMe – Dynamics



			Size 1	Size 2	Size 3	Size 4
1	150-15605	DYNAMIC UPGRADE KIT	●	●	●	●
2	150-15111	Gas shock only	●	●	●	●

BeMe – Multi height & Tilt Bases

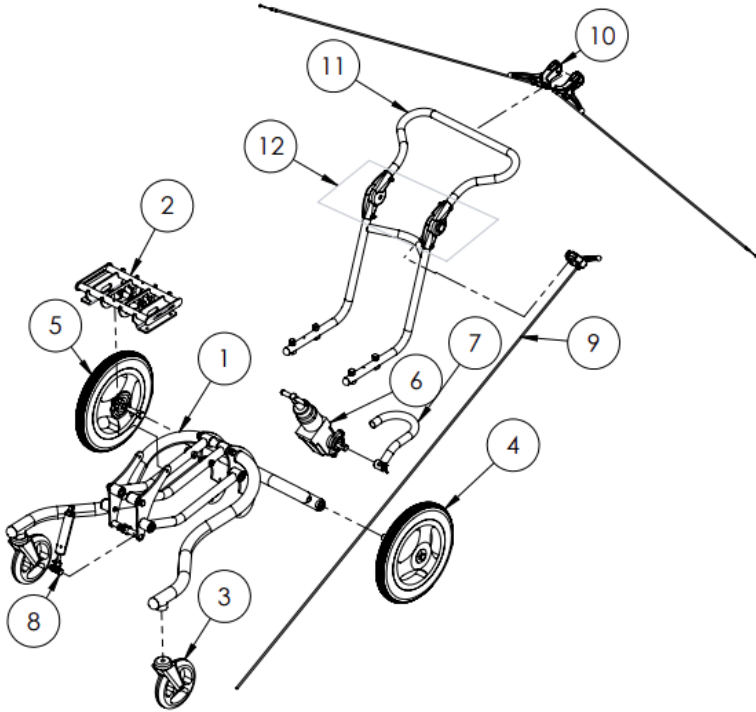


			Size 1	Size 2	Size 3
1	250-15401	Indoor Frame	●	●	
1	250-35401	Indoor Frame Size 3			●
2	250-15402	Interface (Size 1)	●		
2	250-25402	Interface (Size 2)		●	
2	250-35402	Interface (Size 3)			●
3	250-15403	Indoor Castor	●	●	●
4	250-15404	Lift actuator	●	●	●
5	250-15405	Pedal	●	●	●
6	250-15406	Tilt actuator	●	●	●

BeMe – Multi height & Tilt Bases

			Size 1	Size 2	Size 3
7	250-15407	Tilt cable and lever Size 1	●		
7	250-25407	Tilt cable and lever Size 2		●	
7	250-35407	Tilt cable and lever Size 3			●
8	250-15408	Push Handle (Size 1)	●		
8	250-25408	Push Handle (Size 2)		●	
8	250-35408	Push Handle (Size 3)			●
9	250-35409	Push Handle Angle adjustments (Pair)	●	●	●

BeMe – Multi height & Tilt Bases

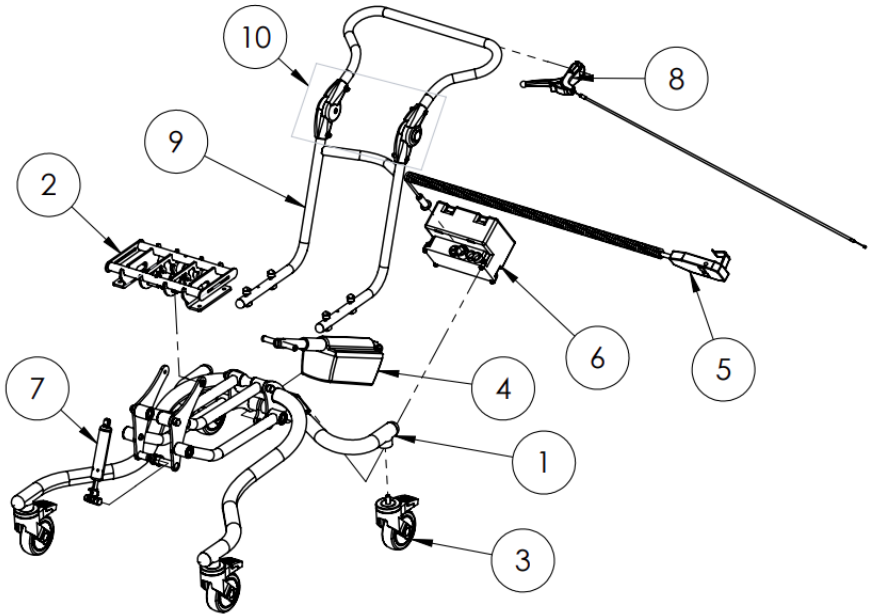


			Size 1	Size 2	Size 3
1	250-15410	Indoor Outdoor Frame	●	●	●
2	250-15402	Interface (Size 1)	●		
2	250-25402	Interface (Size 2)		●	
2	250-35402	Interface (Size 3)			●
3	250-15411	Front Castor	●	●	●
4	250-15412	Left Rear Wheel	●	●	●
5	250-15413	Right Rear Wheel	●	●	●
6	250-15404	Lift actuator	●	●	●
7	250-15405	Pedal	●	●	●
8	250-15406	Tilt actuator	●	●	●

BeMe – Multi height & Tilt Bases

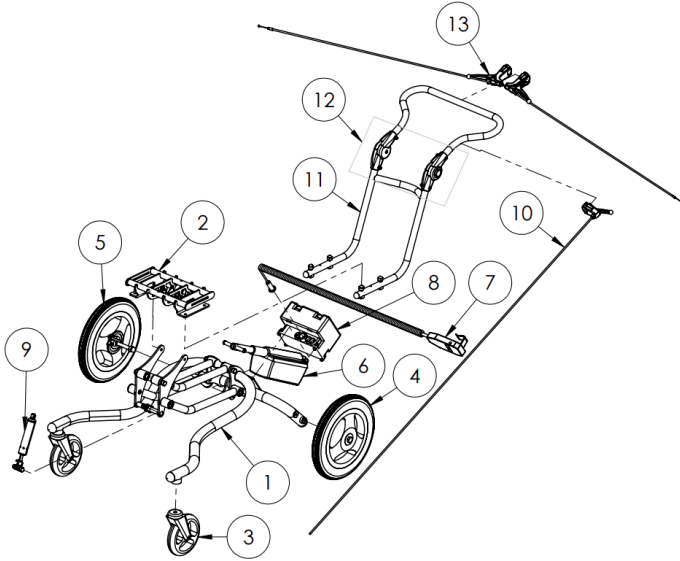
			Size 1	Size 2	Size 3
10	250-15413	Brake Levers and Cable s- Pair	●	●	●
11	250-15408	Push Handle (Size 1)	●		
11	250-25408	Push Handle (Size 2)		●	
11	250-35408	Push Handle (Size 3)			●
12	250-35409	Push Handle Angle adjustments (Pair)	●	●	●

BeMe – Multi height & Tilt Bases



			Size 1	Size 2	Size 3
1	250-15415	Indoor Frame - Electric	●	●	
1	250-35415	Indoor Frame – Electric Size 3			●
2	250-15402	Interface (Size 1)	●		
2	250-25402	Interface (Size 2)		●	
2	250-35402	Interface (Size 3)			●
3	250-15403	Indoor Castor	●	●	●
4	250-15416	Electric Lift actuator	●	●	●
5	250-15417	Control module	●	●	●
6	250-15420	Battery	●	●	●
7	250-15406	Tilt actuator	●	●	●
8	250-15407	Tilt cable and lever	●	●	●
9	250-15408	Push Handle (Size 1)	●		
9	250-25408	Push Handle (Size 2)		●	
9	250-35408	Push Handle (Size 3)			●
10	250-35409	Push Handle Angle adjustments (Pair)	●	●	●

BeMe – Multi height & Tilt Bases

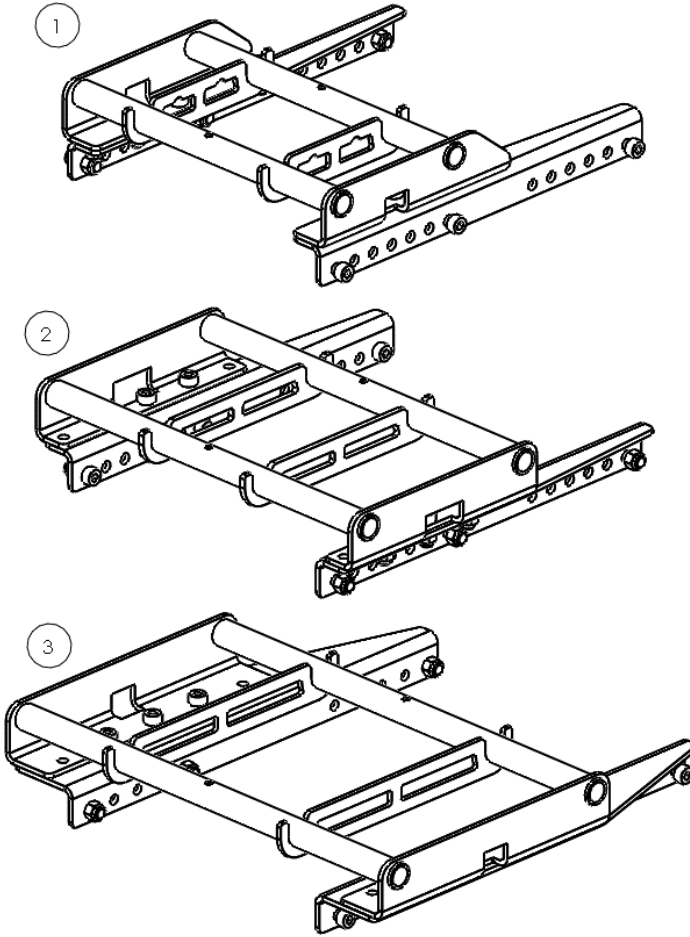


			Size 1	Size 2	Size 3
1	250-15418	Indoor Outdoor Frame - Electric	●	●	●
1	250-25418	Indoor Outdoor Frame - Electric Size 3			●
2	250-15402	Interface (Size 1)	●		
2	250-25402	Interface (Size 2)		●	
2	250-35402	Interface (Size 3)			●
3	250-15403	Indoor Castor	●	●	●
4	250-15412	Left Rear Wheel	●	●	●
5	250-15413	Right Rear Wheel	●	●	●
6	250-15416	Electric Lift actuator	●	●	●
7	250-15417	Control module	●	●	●
8	250-15420	Battery	●	●	●
9	250-15406	Tilt actuator	●	●	●

BeMe – Multi height & Tilt Bases

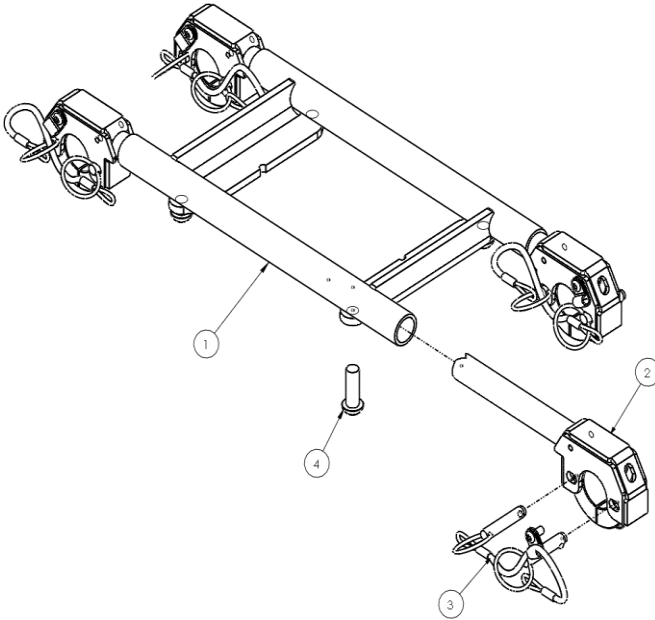
			Size 1	Size 2	Size 3
10	250-15407	Tilt cable and lever	●	●	●
11	250-15408	Push Handle (Size 1)	●		
11	250-25408	Push Handle (Size 2)		●	
11	250-35408	Push Handle (Size 3)			●
12	250-35409	Push Handle Angle adjustments (Pair)	●	●	●
13	250-15413	Brake Levers and Cable s- Pair	●	●	●

BeMe – Manual Wheelchair Interfaces



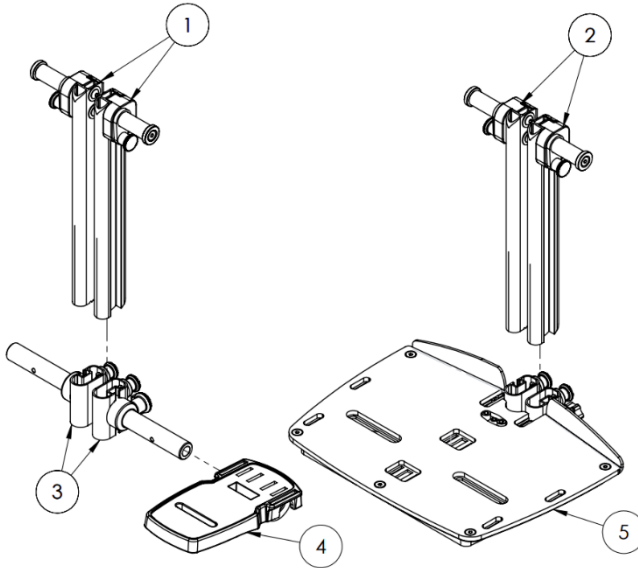
			Size 1	Size 2	Size 3	Size 4
1	250-15771	Interface for Size 1 BeMe on to Q300 M Base	●			
3	250-25771	Interface for Size 2 BeMe on to Q300 M Base		●		
4	250-35771	Interface for Size 3 BeMe on to Q300 M Base			●	●

BeMe – Manual Wheelchair Interfaces



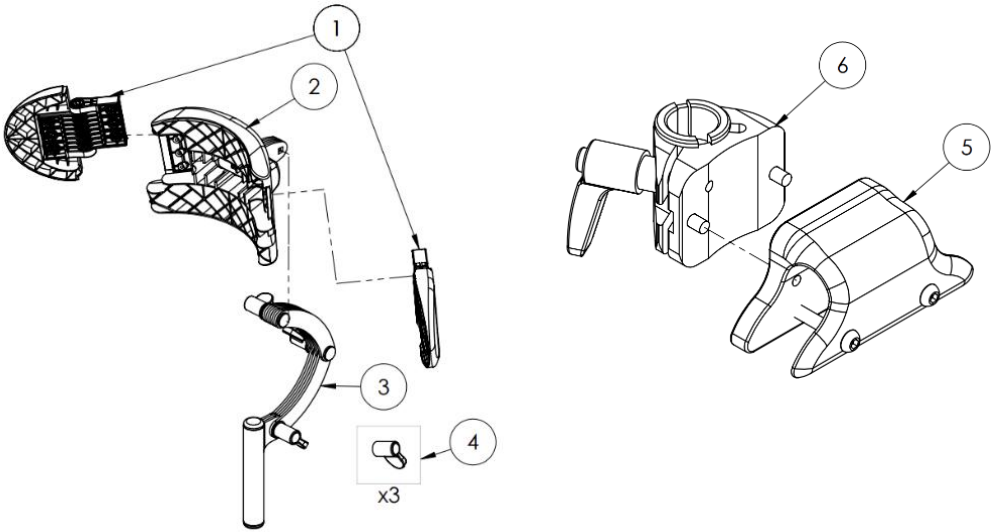
			Size 1	Size 2	Size 3	Size 4
1	250-15311	INTERFACE FRAME (Size 1)	●			
1	250-25311	INTERFACE FRAME (Size 2)		●		
1	250-35311	INTERFACE FRAME (Size 3/4)			●	●
2	250-15312	INTERFACE ADJUSTER (Size 1)	●			
2	250-25312	INTERFACE ADJUSTER (Size 2)		●		
2	250-35312	INTERFACE ADJUSTER (Size 3/4)			●	●
3	194-850	INTERFACE BOLT KIT (ALL INCLUDED)	●	●	●	●
4	150-5314	INTERFACE FRAME BOLT PACK	●	●	●	●

BeMe – Footplates



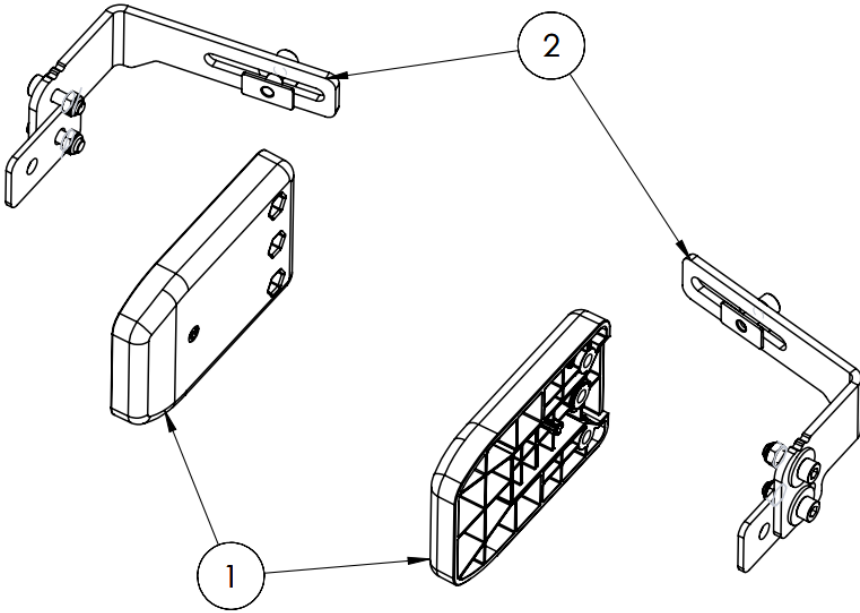
			Size 1	Size 2	Size 3	Size 4
1	250-15150	Split Footplate Upper (Pair) Size 1	●			
1	250-25150	Split Footplate Upper (Pair) Size 2		●		
1	250-35150	Split Footplate Upper (Pair) Size 3/4			●	●
2	250-15251	One Piece Footplate Upper (Pair) Size 1	●			
2	250-25251	One Piece Footplate Upper (Pair) Size 2		●		
2	250-35251	One Piece Footplate Upper (Pair) Size 3/4			●	●
3	250-15152	Split Footplate Lower (Pair) Size 1	●			
3	250-25152	Split Footplate Lower (Pair) Size 2/3/4		●	●	●
4	150-5135	Footplate	●	●	●	●
5	250-15123	One-Piece Footplate Lower (Size 1)	●			
5	250-25123	One-Piece Footplate Lower (Size 2)		●		
5	250-35123	One-Piece Footplate Lower (Size 3)			●	
5	250-45123	One-Piece Footplate Lower (Size 4)				●

BeMe – Headrest



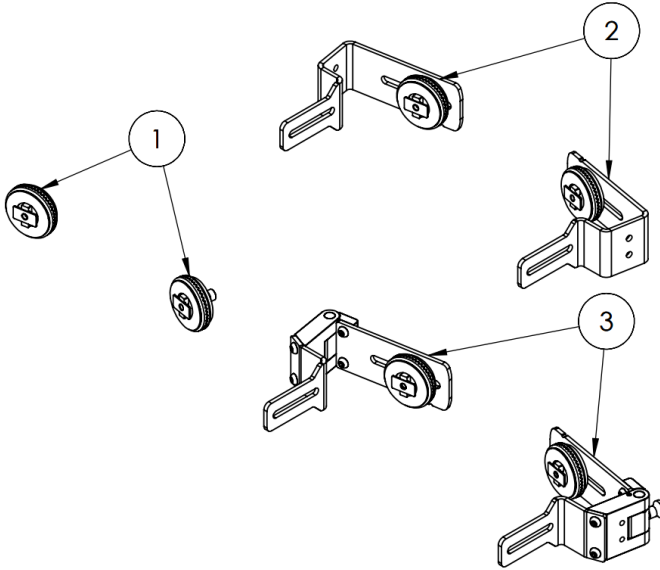
1	150-5091	Headrest Wing Pair
2	150-5092	Headrest Central Moulding
3	250-15256	Headrest Mounting Assembly
4	250-15156	Set of thumb knobs
5	250-15157	Headrest mount assembly
6	250-15158	Receiver and ratchet lever

BeMe – Hip Guide



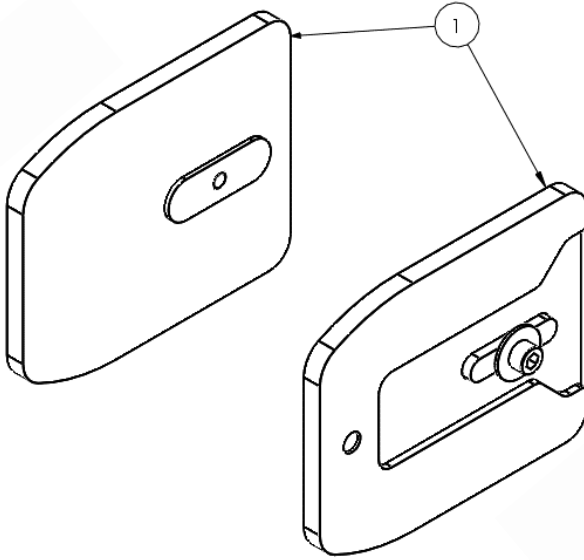
			Size 1	Size 2	Size 3	Size 4
1	150-15081	Hip Guide Moulding (Small)	●			
1	150-25081	Hip Guide Moulding (Medium)		●		
1	150-35081	Hip Guide Moulding (Large)			●	●
2	150-15083	Hip Guide Bracket Pair (Small)	●			
2	150-25083	Hip Guide Bracket Pair (Medium)		●		
2	150-35083	Hip Guide Bracket Pair (Large)			●	●
Full Assembly	150-15684	Small Hip Guide (Pair)	●			
Full Assembly	150-25684	Medium Hip Guide (Pair)		●		
Full Assembly	150-35684	Large Hip Guide (Pair)			●	●

BeMe – Lateral Brackets



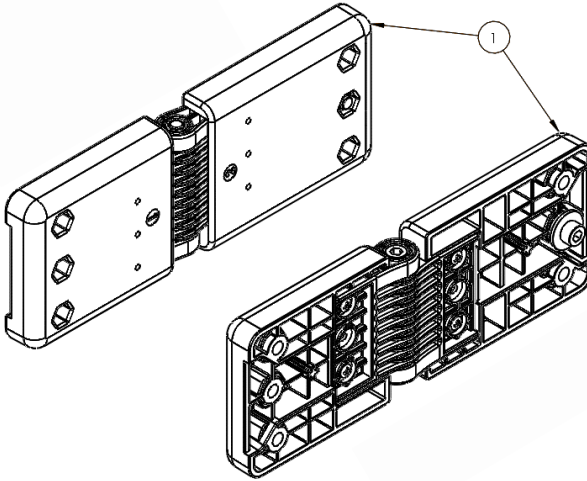
			Size 1	Size 2	Size 3	Size 4
1	250-15071	Angle Moulding (pair)	●	●	●	●
2	250-15061	Rigid lateral bracket Size 1-2	●	●		
2	250-35061	Rigid lateral bracket Size 3-4			●	●
3	250-15655	FlipAway Lateral Bracket for Small/Medium Backrests (Pair)	●	●		
3	250-35655	FlipAway Lateral Bracket for Large Backrests (Pair)			●	●

BeMe – Slim Lateral Pad



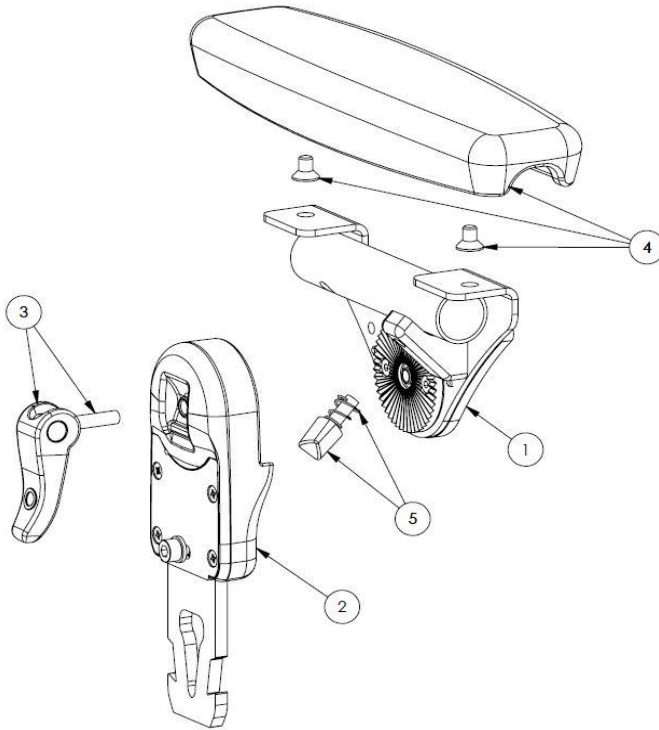
			Size 1	Size 2	Size 3	Size 4
1	150-15041	Basic Slim Lateral Pad (Small)	●	●		
1	150-25041	Basic Slim Lateral Pad (Medium)		●	●	
1	150-35041	Basic Slim Lateral Pad (Large)			●	●

BeMe – Hinged Lateral Pad



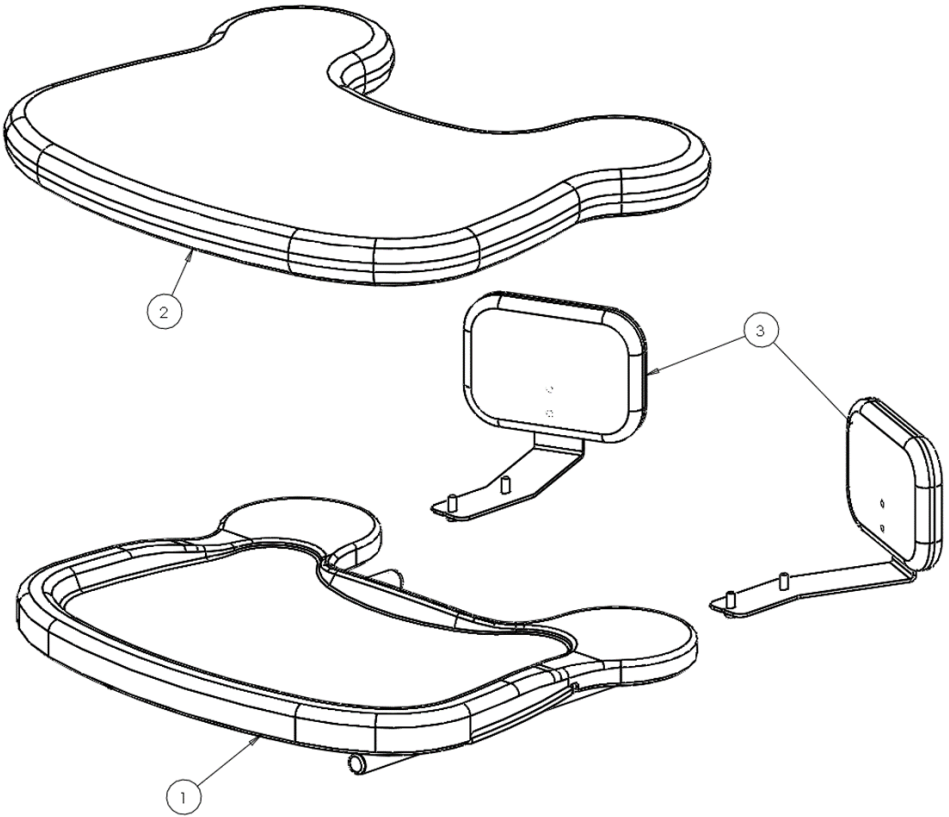
			Size 1	Size 2	Size 3	Size 4
1	150-15051	Hinged Lateral Pad (Small/Medium)	●	●		
1	150-35051	Hinged Lateral Pad (Large)			●	●

BeMe – Armrest



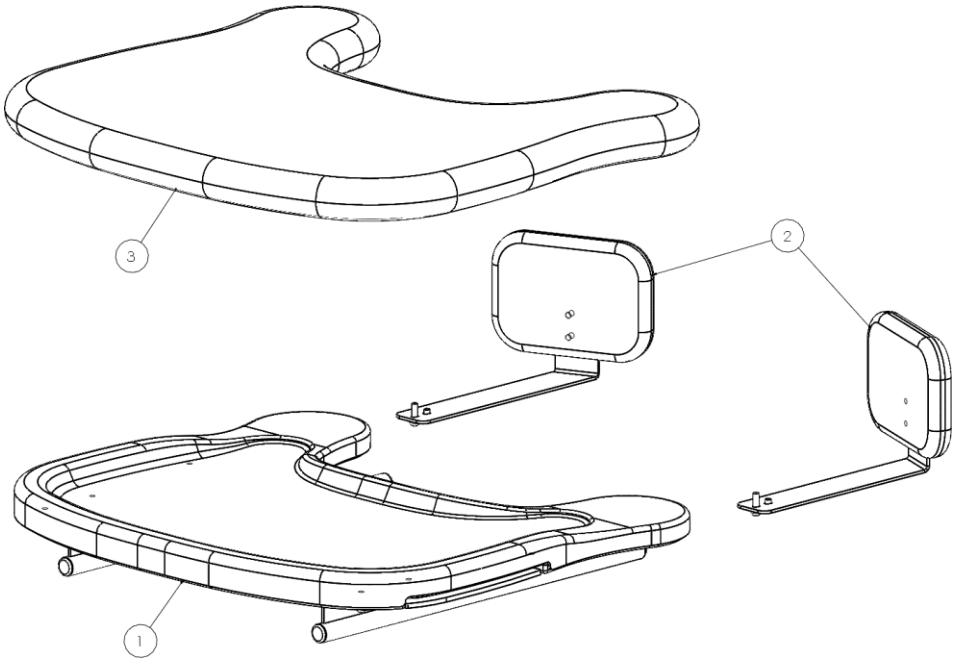
			Size 1	Size 2	Size 3
1	150-5201	Tray Receiver	●	●	●
2	150-5202	Armrest Stem (Small)	●		
2	150-25202	Armrest Stem (Medium)		●	
2	150-35202	Armrest Stem (Large)			●
3	150-15203	Stem Camlock Assembly	●	●	●
4	150-15204	Armrest PU (Small)	●		
4	150-25204	Armrest PU (Large)		●	●
5	150-5205	Tray Receiver Knob/Height adjustment knob	●	●	●

BeMe – Size 1 Tray



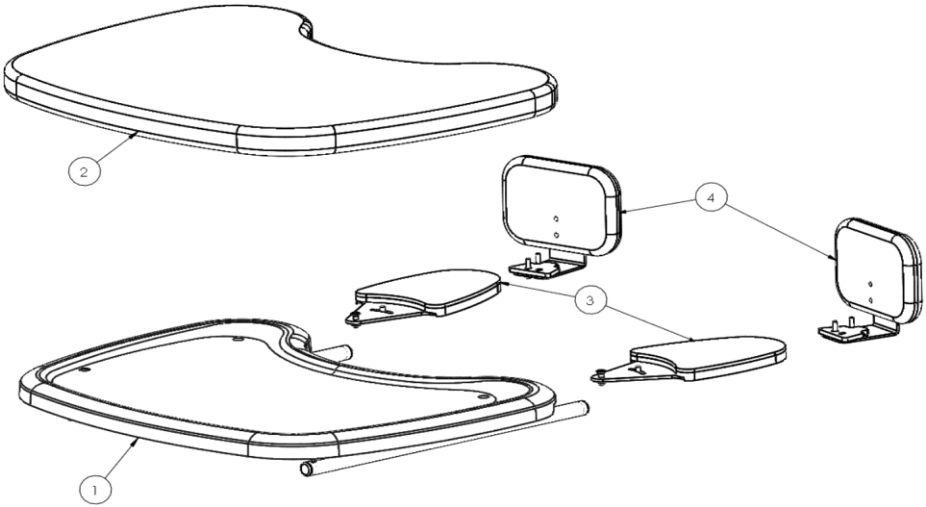
			Size 1	Size 2	Size 3	Size 4
1	150-1720	Tray (Small)	●			
2	150-1888	Padded Tray Cover (Small)	●			
3	150-1671	Tray Elbow Blockers (Small)	●			

BeMe – Size 2 Tray



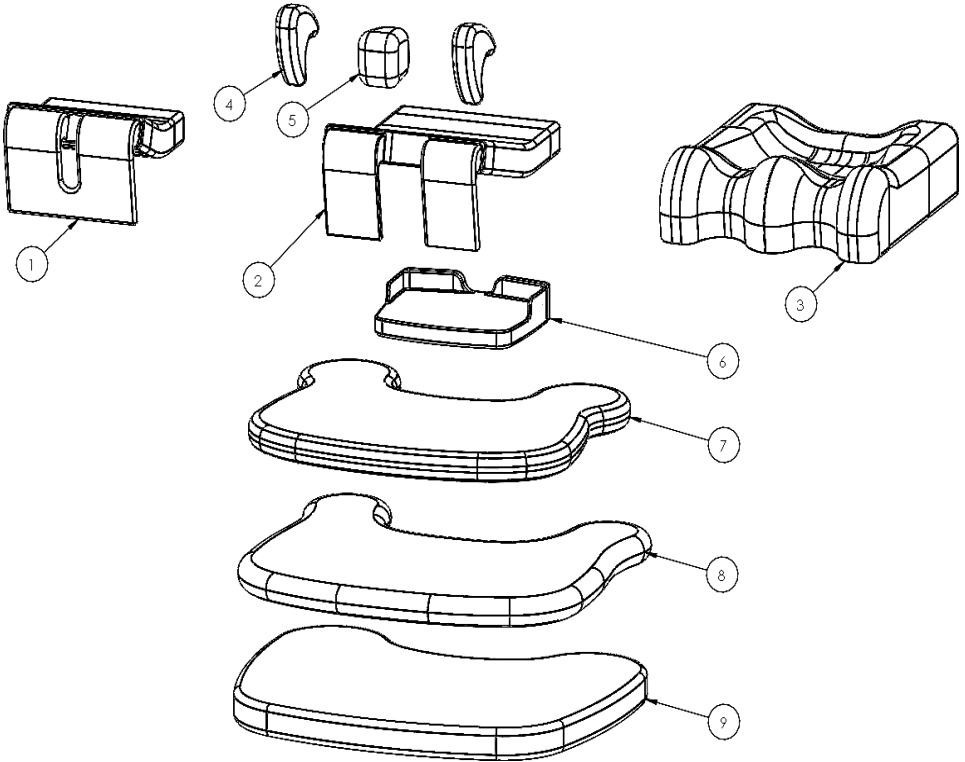
			Size 1	Size 2	Size 3	Size 4
1	150-2720	Tray (Medium)		●		
2	117-641	Tray Elbow Blockers (Medium)		●		
3	150-2888	Padded Tray Cover (Medium)		●		

BeMe – Size 3 Tray



			Size 1	Size 2	Size 3	Size 4
1	150-35031	Tray (Size 3)			●	●
1	150-45031	Tray (Size 4)			●	●
2	150-3888	Padded Tray Cover (Large)			●	●
3	150-35033	Elbow Pad (Large)			●	●
4	150-3671	Tray Elbow Blockers (Large)			●	●

BeMe – Upholstery & Covers

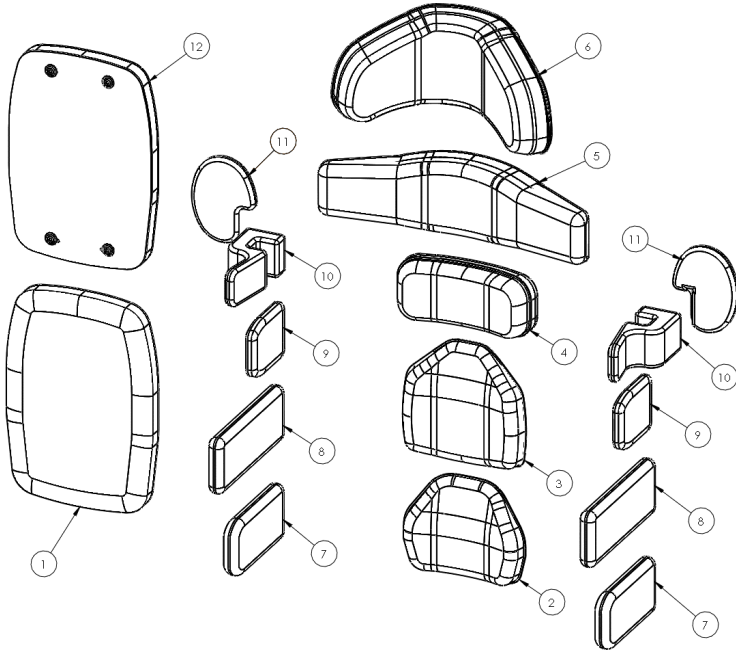


			Size 1	Size 2	Size 3	Size 4
1	250-1840-XX	Basic Seat Cover With Stretch Foam (Size 1)	●			
1	250-2840-XX	Basic Seat Cover With Stretch Foam (Size 2)		●		
1	250-3840-XX	Basic Seat Cover With Stretch Foam (Size 3)			●	
1	250-4840-XX	Basic Seat Cover With Stretch Foam (Size 4)				●
2	250-2850-XX	Split Seat Cover With Stretch Foam (Size 2)		●		
2	250-3850-XX	Split Seat Cover With Stretch Foam (Size 3)			●	
2	250-4850-XX	Split Seat Cover With Stretch Foam (Size 4)				●

BeMe – Upholstery & Covers

			Size 1	Size 2	Size 3	Size 4
3	250-1860-XX	Contoured Seat Cover With Stretch Foam (Size 1)	●			
3	250-2860-XX	Contoured Seat Cover With Stretch Foam (Size 2)		●		
3	250-3860-XX	Contoured Seat Cover With Stretch Foam (Size 3)			●	
3	250-4860-XX	Contoured Seat Cover With Stretch Foam (Size 4)				●
4	150-1862	Single Padded Cover For Femoral Gable (Small)	●			
4	150-2862	Single Padded Cover For Femoral Gable (Medium)		●		
4	150-3862	Single Padded Cover For Femoral Gable (Large)			●	
4	150-4862	Single Padded Cover For Femoral Gable (X-Large)				●
5	150-1864	Pommel Cover (Size 1)	●			
5	150-2864	Pommel Cover (Size 2)		●		
5	150-3864	Pommel Cover (Size 3/4)			●	●
6	150-1872	One-Piece Footplate Cover (Size 1)	●			
6	150-2872	One-Piece Footplate Cover (Size 2)		●		
6	150-3872	One-Piece Footplate Cover (Size 3/4)			●	●
7	150-1888	Padded Tray Cover (Size 1)	●			
8	150-2888	Padded Tray Cover (Size 2)		●		
9	150-3888	Padded Tray Cover (Size 3/4)			●	●

BeMe – Upholstery & Covers

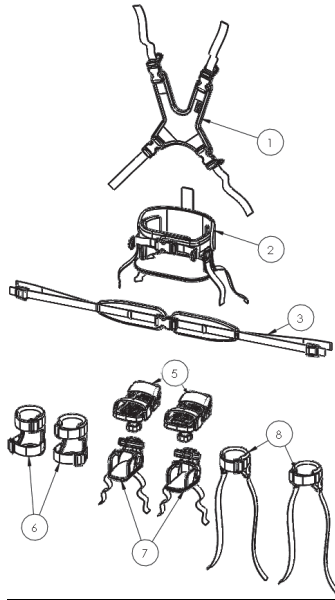


			Size 1	Size 2	Size 3	Size 4
1	250-11870-XX	Basic Backrest Cover (Size 1)	●			
1	250-12870-XX	Basic Backrest Cover (Size 2)		●		
1	250-13870-XX	Basic Backrest Cover (Size 3)			●	
1	250-14870-XX	Basic Backrest Cover (Size 4)				●
2,3,4	250-11800-XX	Moderate Backrest Cover (Size 1)	●			
2,3,4	250-12800-XX	Moderate Backrest Cover (Size 2)		●		
2,3,4	250-13800-XX	Moderate Backrest Cover (Size 3)			●	
2,3,4	250-16800-XX	Moderate Backrest Cover (Size 4)				●
2,3,5	250-14800-XX	Complex Backrest Cover (Size 1)	●			
2,3,5	250-15800-XX	Complex Backrest Cover (Size 2)		●		
2,3,5	250-17800-XX	Complex Backrest Cover (Size 3)			●	

BeMe – Upholstery & Covers

			Size 1	Size 2	Size 3	Size 4
6	150-1855-XX	HEADREST COVER	●	●	●	●
7	150-15082	HIP GUIDE COVER (Small)	●			
7	150-25082	HIP GUIDE COVER (Medium)		●		
7	150-35082	HIP GUIDE COVER (Large)			●	●
8	150-15052	COMPLEX LATERAL COVER (Small/Medium)	●	●		
8	150-35052	COMPLEX LATERAL COVER (Large)			●	●
9	150-15042	SLIM LATERAL COVER (Small)	●	●		
9	150-25042	SLIM LATERAL COVER (Medium)		●	●	
9	150-35042	SLIM LATERAL COVER (Large)			●	●
10	150-15062	LATERAL BRACKET COVER	●	●	●	●
11	150-673	LATERAL PROTRACTION PAD	●	●	●	●
11	150-1850	PROTRACTION PAD COVER ONLY	●	●	●	●
12	250-150010	BASIC BACKREST FOAM (Size 1)	●			
12	250-250010	BASIC BACKREST FOAM (Size 2)		●		
12	250-350010	BASIC BACKREST FOAM (Size 3)			●	
12	250-350010	BASIC BACKREST FOAM (Size 4)				●

BeMe – Harnesses & Belts



1	155-N001-L600	Butterfly Harness (Small)
1	155-N001-L601	Butterfly Harness (Medium)
1	155-N001-L602	Butterfly Harness (Large)
1	155-N001-L603	Butterfly Harness (X Large)
2	117-476	Pelvic Cradle (Size 2)
2	117-477	Pelvic Cradle (Size 3)
2	117-478	Pelvic Cradle (Size 4)
2	117-479	Pelvic Cradle (Size 5)
2	117-480	Pelvic Cradle (Size 6)
3	150-1844	4 point belt (Size 1)
3	150-2844	4 point belt (Size 2)

BeMe – Harnesses & Belts

5	152-1600	Sandals (Small)
5	152-2600	Sandals (Medium)
5	152-3600	Sandals (Large)
6	AH01	Ankle Huggers
7	150-1852	Booties (X-Small)
8	173-2305	Small Ankle Wraps (Only with Sandals)
8	173-3305	Large Ankle Wraps (Only with Sandals)



James Leckey Design Limited
19 Ballinderry Road
Lisburn BT28 2SA
Northern Ireland

(+44) 28 9260 0750
hello@leckey.com

leckey.com



James Leckey Design Limited has made every effort to ensure that the information contained in this document is accurate and up to date. At the time of going to print, the information presented is accurate to the best of the company's knowledge. James Leckey Design Limited however, cannot accept responsibility for changes to product information after going to print. Date of preparation October 2021

Date of Preparation : May 2025